

Ninja-Lite BB Installation Instructions



IMPORTANT NOTICE:

- Do not alter this product in any way as it can cause unseen damage. Any modifications to this product will void the warranty.
- TOKEN suggests taking your bottom bracket to your local authorized TOKEN dealer for installation, service and adjustments.
- Read the user's guide before installation and use. Follow all instructions carefully. If you have any questions, don't ride the bike. Take it to your local TOKEN dealer for assistance.

BEFORE RIDING:

- Check that there is no side-to-side movement in the bottom bracket. Also check that the cranks spin smoothly. If there is movement or the bottom bracket is not smooth, take the bicycle to your local TOKEN dealer for service or replacement.
- Ensure that the cranks are firmly attached to the bottom bracket. Improperly attached cranks can become detached from the bicycle and serious injury can result. Never ride a bicycle with improperly attached cranks.

AFTER RIDING:

- When cleaning the bottom bracket, only use mild soap and water. Never spray the bottom bracket with high-pressure water. Water can enter the bottom bracket and cause it to wear prematurely.

WARRANTY:

All TOKEN products are guaranteed against defects in materials or workmanship for two (2) years from the original date of purchase. This warranty applies to the original owner only and is not transferable. The warranty is considered void if resold. The warranty does not cover normal wear and tear or damage from abuse. Please see our website or contact your local dealer or distributor for more details.

Step 1

Apply thin layer of grease to BB cups as shown in the diagram.

Step 2

Thread the ① drive side cup clockwise into the ② non-drive side cup by hand until the BB cups touch the bottom bracket shell.

Step 3

Use a torque wrench with the ③ BB Installation Tool (sold separately) to tighten to 10-12 N.m (88-106 in-lb).

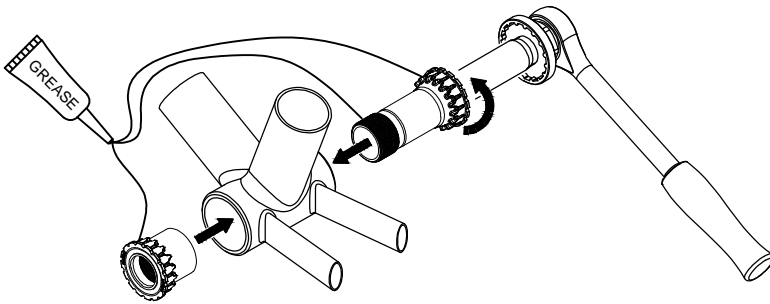
NOTE

- We recommend using ③ BB Installation Tool (sold separately) for easier installation, and to prevent any frame or BB cup damage.



WARNING

- 10-12 N.m (88-106 in-lb) of tightening torque is sufficient to lock the BB cups in place. Never exceed the torque limitation as it could damage the composite BB cups permanently.



www.tokenproducts.com

SHIMANO CRANKSET													
BB86/BB89.5/BB92 FRAME	<p style="margin: 0;">MODEL: BB4124PS</p> <table border="1" style="width: 100%; border-collapse: collapse; margin-bottom: 20px;"> <thead> <tr> <th style="width: 10%;">No.</th> <th style="width: 70%;">Description</th> <th style="width: 20%;">Q'ty</th> </tr> </thead> <tbody> <tr> <td style="text-align: center;">1</td> <td>Right Cup</td> <td style="text-align: center;">1</td> </tr> <tr> <td style="text-align: center;">2</td> <td>Left Cup</td> <td style="text-align: center;">1</td> </tr> <tr> <td style="text-align: center;">4</td> <td>2.5mm Spacer</td> <td style="text-align: center;">1</td> </tr> </tbody> </table> <div style="display: flex; justify-content: space-around; align-items: flex-start;"> <div style="text-align: center;"> <p>②</p> </div> <div style="text-align: center;"> <p>Non-Drive Side / Drive Side</p> </div> <div style="text-align: center;"> <p>①</p> </div> <div style="text-align: center;"> <p>④</p> </div> </div> <p style="font-size: small; margin-top: 10px;"> 86.5mm-Road: No spacer 89.5mm-MTB: 2.5mm spacer x1 92mm-MTB: No spacer </p> <p style="font-size: x-small; margin-top: 10px;"> NOTICE - Installation tool BB841T-5RSP or BBT69.2 is sold separately. </p>	No.	Description	Q'ty	1	Right Cup	1	2	Left Cup	1	4	2.5mm Spacer	1
No.	Description	Q'ty											
1	Right Cup	1											
2	Left Cup	1											
4	2.5mm Spacer	1											

SRAM GXP CRANKSET																									
BB86/BB89.5/BB92 FRAME	<p style="margin: 0;">MODEL: BB4124PR</p> <table border="1" style="width: 100%; border-collapse: collapse; margin-bottom: 20px;"> <thead> <tr> <th style="width: 10%;">No.</th> <th style="width: 70%;">Description</th> <th style="width: 20%;">Q'ty</th> </tr> </thead> <tbody> <tr> <td style="text-align: center;">1</td> <td>Right Cup</td> <td style="text-align: center;">1</td> </tr> <tr> <td style="text-align: center;">2</td> <td>Left Cup</td> <td style="text-align: center;">1</td> </tr> <tr> <td style="text-align: center;">4</td> <td>2.5mm Spacer</td> <td style="text-align: center;">1</td> </tr> <tr> <td style="text-align: center;">5</td> <td>GXP Adaptor</td> <td style="text-align: center;">1</td> </tr> <tr> <td style="text-align: center;">6</td> <td>1mm Spacer</td> <td style="text-align: center;">2</td> </tr> <tr> <td style="text-align: center;">7</td> <td>2.5mm Spacer</td> <td style="text-align: center;">1</td> </tr> <tr> <td style="text-align: center;">8</td> <td>Wave Washer</td> <td style="text-align: center;">1</td> </tr> </tbody> </table> <div style="display: flex; justify-content: space-around; align-items: flex-start;"> <div style="text-align: center;"> <p>②</p> </div> <div style="text-align: center;"> <p>⑤</p> </div> <div style="text-align: center;"> <p>⑥</p> </div> <div style="text-align: center;"> <p>⑦</p> </div> <div style="text-align: center;"> <p>Non-Drive Side / Drive Side</p> </div> <div style="text-align: center;"> <p>①</p> </div> <div style="text-align: center;"> <p>④</p> </div> <div style="text-align: center;"> <p>⑧</p> </div> </div> <p style="font-size: x-small; margin-top: 10px;"> 86.5mm-Road: 1mm spacer x1 89.5mm-MTB: 2.5mm spacer x1 92mm-MTB: No spacer </p> <p style="font-size: x-small; margin-top: 10px;"> 86.5mm-Road: No spacer 89.5mm-MTB: 2.5mm spacer x1 92mm-MTB: 2.5mm spacer x1 </p> <p style="font-size: x-small; margin-top: 10px;"> NOTICE - Installation tool BB841T-5RSP or BBT69.2 is sold separately. </p>	No.	Description	Q'ty	1	Right Cup	1	2	Left Cup	1	4	2.5mm Spacer	1	5	GXP Adaptor	1	6	1mm Spacer	2	7	2.5mm Spacer	1	8	Wave Washer	1
No.	Description	Q'ty																							
1	Right Cup	1																							
2	Left Cup	1																							
4	2.5mm Spacer	1																							
5	GXP Adaptor	1																							
6	1mm Spacer	2																							
7	2.5mm Spacer	1																							
8	Wave Washer	1																							