

BB Spacer Kit Installation Instructions



IMPORTANT NOTICE:

- Do not alter this product in any way as it can cause unseen damage. Any modifications to this product will void the warranty.
- TOKEN suggests taking your bottom bracket to your local authorized TOKEN dealer for installation, service and adjustments.
- Read the user's guide before installation and use. Follow all instructions carefully. If you have any questions, don't ride the bike. Take it to your local TOKEN dealer for assistance.

BEFORE RIDING:

- Check that there is no side-to-side movement in the bottom bracket. Also check that the cranks spin smoothly. If there is movement or the bottom bracket is not smooth, take the bicycle to your local TOKEN dealer for service or replacement.
- Ensure that the cranks are firmly attached to the bottom bracket. Improperly attached cranks can become detached from the bicycle and serious injury can result. Never ride a bicycle with improperly attached cranks.

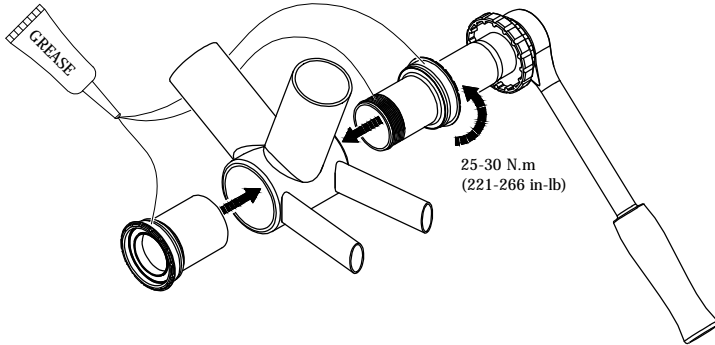
AFTER RIDING:

- When cleaning the bottom bracket, only use mild soap and water. Never spray the bottom bracket with high-pressure water. Water can enter the bottom bracket and cause it to wear prematurely.

WARRANTY:

All TOKEN products are guaranteed against defects in materials or workmanship for two (2) years from the original date of purchase. This warranty applies to the original owner only and is not transferable. The warranty is considered void if resold. The warranty does not cover normal wear and tear or damage from abuse. Please see our website or contact your local dealer or distributor for more details.

www.tokenproducts.com



M83 SPACER KIT
FOR
CANNONDALE MTN 83-Ai FRAME (φ46 x W83)

MODEL: M83

No.	Part Name	Q'ty
5	1mm Inboard Spacer	1
6	2mm Inboard Spacer	1
7	7.3mm Spindle Spacer	1

CANNONDALE HOLLOWGRAM MTB CRANKSET (with 137mm SPINDLE)

MODEL: BB46Ai30
= TF4630 + M83

No.	Part Name	Q'ty
1	Right Cup (w/ Flat Side Cover)	1
2	Left Cup (w/ Flat Side Cover)	1
3	0.2mm Inboard Washer	1
4	Wave Washer	1
7	7.3mm Spindle Spacer	1

①, ②, ③, ④ : from TF4630
⑦ : from M83

NOTICE
Installation tool TF4630-3SPA-2 is sold separately.

SRAM DUB MTB CRANKSET (with 3mm-OFFSET CHAINRING)

MODEL: BB46Ai29
= BB46BR29 + M83

No.	Part Name	Q'ty
1	Right Cup	1
2	Left Cup	1
3	2mm Spindle Spacer	1
5	1mm Inboard Spacer	1
6	2mm Inboard Spacer	1

①, ②, ③ : from BB46BR29
⑤, ⑥ : from M83

NOTICE
Installation tool TF4630-3SPA-2 is sold separately.