

Ninja BB Installation Instructions

IMPORTANT NOTICE:

- Do not alter this product in any way as it can cause unseen damage. Any modifications to this product will void the warranty.
- TOKEN suggests taking your bottom bracket to your local authorized TOKEN dealer for installation, service and adjustments.
- Read the user's guide before installation and use. Follow all instructions carefully. If you have any questions, don't ride the bike. Take it to your local TOKEN dealer for assistance.

BEFORE RIDING:

- Check that there is no side-to-side movement in the bottom bracket. Also check that the cranks spin smoothly. If there is movement or the bottom bracket is not smooth, take the bicycle to your local TOKEN dealer for service or replacement.
- Ensure that the cranks are firmly attached to the bottom bracket. Improperly attached cranks can become detached from the bicycle and serious injury can result. Never ride a bicycle with improperly attached cranks.

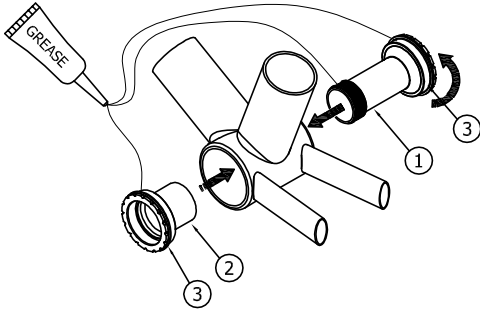
AFTER RIDING:

- When cleaning the bottom bracket, only use mild soap and water. Never spray the bottom bracket with high-pressure water. Water can enter the bottom bracket and cause it to wear prematurely.

WARRANTY:

All TOKEN products are guaranteed against defects in materials or workmanship for two (2) years from the original date of purchase. This warranty applies to the original owner only and is not transferable. The warranty is considered void if resold. The warranty does not cover normal wear and tear or damage from abuse. Please see our website or contact your local dealer or distributor for more details.

www.tokenproducts.com



Step 1

Apply thin layer of grease to adaptors and threads.

Step 2

Thread the ① drive side cup clockwise into the ② non-drive side cup by hand until the BB cups touch the bottom bracket shell.

Step 3

Use a torque wrench with the BB Installation Tool to tighten to 25-30 N.m (221-266 in-lb)

Step 4

Install any necessary adaptor, according to this manual.

BB386 FRAME	CAMPAGNOLO ULTRA TORQUE CRANKSET														
	MODEL: BB38625														
	<table border="1"> <thead> <tr> <th>No.</th> <th>Description</th> <th>Q'ty</th> </tr> </thead> <tbody> <tr> <td>1</td> <td>Right Cup</td> <td>1</td> </tr> <tr> <td>2</td> <td>Left Cup</td> <td>1</td> </tr> <tr> <td>3</td> <td>46mm Adaptor</td> <td>2</td> </tr> </tbody> </table>	No.	Description	Q'ty	1	Right Cup	1	2	Left Cup	1	3	46mm Adaptor	2		
No.	Description	Q'ty													
1	Right Cup	1													
2	Left Cup	1													
3	46mm Adaptor	2													
	<p>NOTICE Installation tool TF4630-3SPA-2 is sold separately.</p>														

BB86 FRAME	CAMPAGNOLO ULTRA TORQUE CRANKSET														
	MODEL: BB4125														
	<table border="1"> <thead> <tr> <th>No.</th> <th>Description</th> <th>Q'ty</th> </tr> </thead> <tbody> <tr> <td>1</td> <td>Right Cup</td> <td>1</td> </tr> <tr> <td>2</td> <td>Left Cup</td> <td>1</td> </tr> <tr> <td>3</td> <td>41mm Adaptor</td> <td>2</td> </tr> </tbody> </table>	No.	Description	Q'ty	1	Right Cup	1	2	Left Cup	1	3	41mm Adaptor	2		
No.	Description	Q'ty													
1	Right Cup	1													
2	Left Cup	1													
3	41mm Adaptor	2													
	<p>NOTICE Installation tool 841T-5RSP is sold separately.</p>														

T47 FRAME (M47x85.5mm/86.5mm)	CAMPAGNOLO ULTRA TORQUE CRANKSET																	
	MODEL: BB47V25																	
	<table border="1"> <thead> <tr> <th>No.</th> <th>Description</th> <th>Q'ty</th> </tr> </thead> <tbody> <tr> <td>1</td> <td>Right Cup</td> <td>1</td> </tr> <tr> <td>2</td> <td>Left Cup</td> <td>1</td> </tr> <tr> <td>3</td> <td>Center Sleeve</td> <td>1</td> </tr> <tr> <td>4</td> <td>0.5mm Spacer</td> <td>2</td> </tr> </tbody> </table>	No.	Description	Q'ty	1	Right Cup	1	2	Left Cup	1	3	Center Sleeve	1	4	0.5mm Spacer	2		
No.	Description	Q'ty																
1	Right Cup	1																
2	Left Cup	1																
3	Center Sleeve	1																
4	0.5mm Spacer	2																
	<p>NOTICE Installation tool TF4630-3SPA-2 is sold separately.</p>																	