

Ninja BB Installation Instructions



IMPORTANT NOTICE:

- Do not alter this product in any way as it can cause unseen damage. Any modifications to this product will void the warranty.
- TOKEN suggests taking your bottom bracket to your local authorized TOKEN dealer for installation, service and adjustments.
- Read the user's guide before installation and use. Follow all instructions carefully. If you have any questions, don't ride the bike. Take it to your local TOKEN dealer for assistance.

BEFORE RIDING:

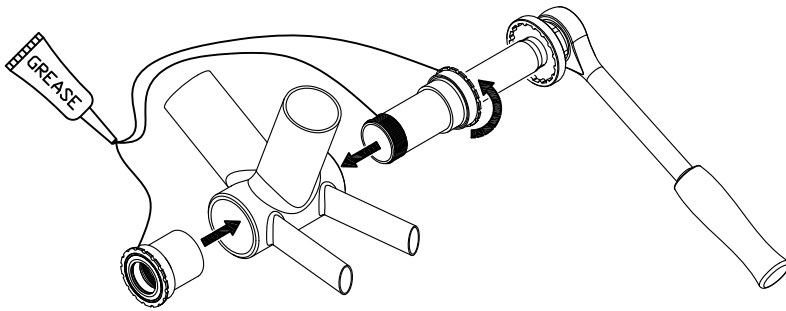
- Check that there is no side-to-side movement in the bottom bracket. Also check that the cranks spin smoothly. If there is movement or the bottom bracket is not smooth, take the bicycle to your local TOKEN dealer for service or replacement.
- Ensure that the cranks are firmly attached to the bottom bracket. Improperly attached cranks can become detached from the bicycle and serious injury can result. Never ride a bicycle with improperly attached cranks.

AFTER RIDING:

- When cleaning the bottom bracket, only use mild soap and water. Never spray the bottom bracket with high-pressure water. Water can enter the bottom bracket and cause it to wear prematurely.

WARRANTY:

All TOKEN products are guaranteed against defects in materials or workmanship for two (2) years from the original date of purchase. This warranty applies to the original owner only and is not transferable. The warranty is considered void if resold. The warranty does not cover normal wear and tear or damage from abuse. Please see our website or contact your local dealer or distributor for more details.



Step 1

Install any necessary adaptor, according to chart.

Step 2

Apply thin layer of grease to adaptors and threads.

Step 3

Thread the (1) drive side cup clockwise into the (2) non-drive side cup by hand until the BB cups touch the bottom bracket shell.

Step 4

Use a torque wrench with the (3) BB Installation Tool (sold separately) to tighten to 25-30 N.m (221-266 in-lb).



Note:

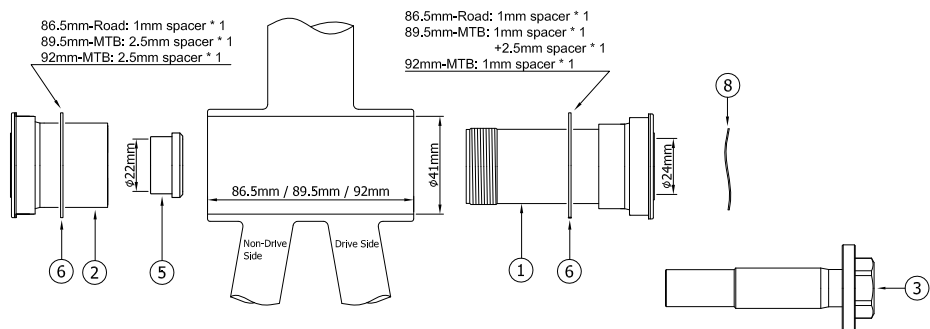
- We recommend using (3) BB Installation Tool (sold separately) for easier installation, and to prevent any frame damage.
- If the bottom bracket cup can be pressed into the frame BB shell by hand easily, the BB shell may be oversized and "#C3" cups or adaptors (sold separately) may be required. Contact us or your local dealer for more information.

www.tokenproducts.com

SRAM GXP CRANKSET

MODEL: BB841T-41R BB841T-41RTBT

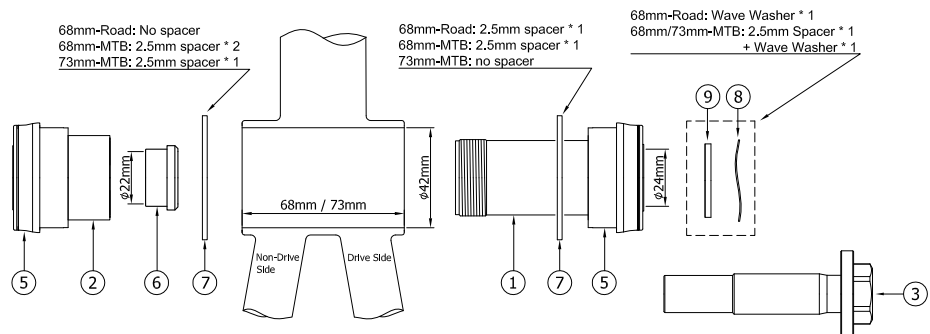
No.	Description	Q'ty
1	Right Cup	1
2	Left Cup	1
5	GXP Adaptor	1
6-1	1mm spacer	2
6-2	2.5mm spacer	2
8	Wave Washer	1



BB86 FRAME

MODEL: BB841T-42R BB841T-42RTBT

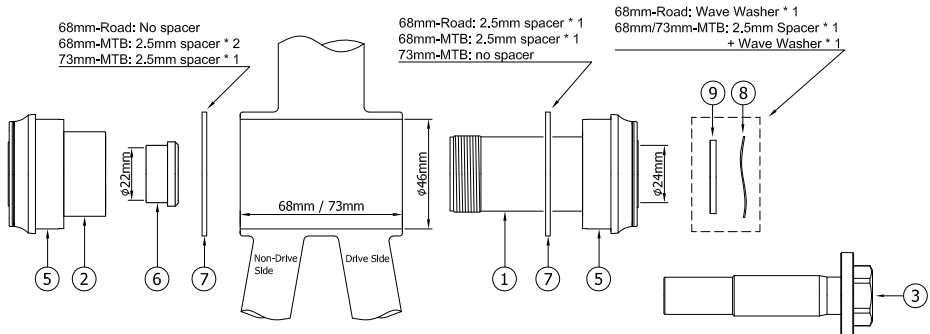
No.	Description	Q'ty
1	Right Cup	1
2	Left Cup	1
5	42mm Adaptor	2
6	GXP Adaptor	1
7	2.5mm Spacer	3
8	Wave Washer	1
9	2.5mm Spacer	1



BB30 FRAME

MODEL: BB841T-46R BB841T-46RTBT

No.	Description	Q'ty
1	Right Cup	1
2	Left Cup	1
5	46mm Adaptor	2
6	GXP Adaptor	1
7	2.5mm Spacer	3
8	Wave Washer	1
9	2.5mm Spacer	1



PF30 FRAME