

# Press Fit BB Installation Instructions

### IMPORTANT NOTICE:

- Do not alter this product in any way as it can cause unseen damage. Any modifications to this product will void the warranty.
- TOKEN suggests taking your bottom bracket to your local authorized TOKEN dealer for installation, service and adjustments.
- Read the user's guide before installation and use. Follow all instructions carefully. If you have any questions, don't ride the bike. Take it to your local TOKEN dealer for assistance.

### BEFORE RIDING:

- Check that there is no side-to-side movement in the bottom bracket. Also check that the cranks spin smoothly. If there is movement or the bottom bracket is not smooth, take the bicycle to your local TOKEN dealer for service or replacement.
- Ensure that the cranks are firmly attached to the bottom bracket. Improperly attached cranks can become detached from the bicycle and serious injury can result. Never ride a bicycle with improperly attached cranks.

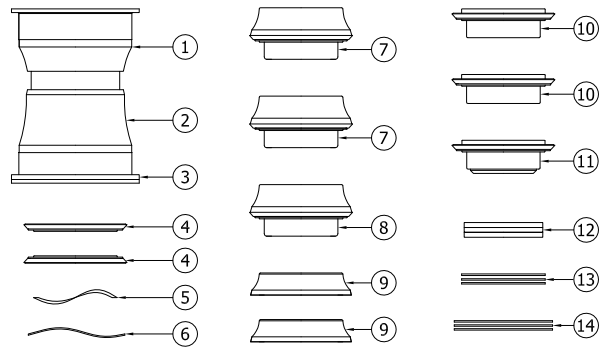
### AFTER RIDING:

- When cleaning the bottom bracket, only use mild soap and water. Never spray the bottom bracket with high-pressure water. Water can enter the bottom bracket and cause it to wear prematurely.

### WARRANTY:

All TOKEN products are guaranteed against defects in materials or workmanship for two (2) years from the original date of purchase. This warranty applies to the original owner only and is not transferable. The warranty is considered void if resold. The warranty does not cover normal wear and tear or damage from abuse. Please see our website or contact your local dealer or distributor for more details.

## PF SAVIOUR (MODEL: PF71/PF71-TBT)



Use micro spacers (13) and (14) ONLY when chainline adjustment is needed.

[www.tokenproducts.com](http://www.tokenproducts.com)

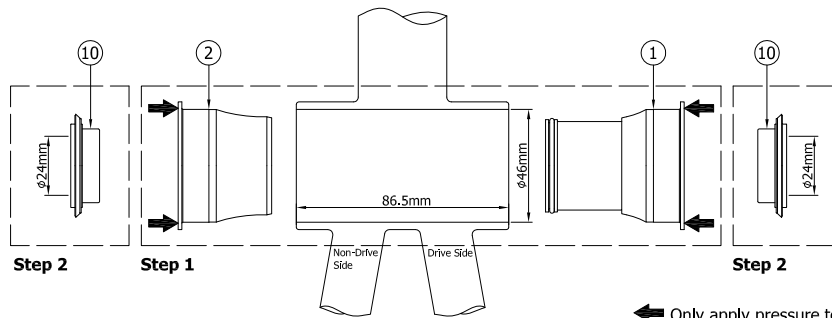
### BB386 FRAME

SHIMANO CRANKSET (ROAD ONLY)

#### MODEL: BB386PS/BB386PS-TBT BB386APS/BB386APS-TBT

No.	Description	Q'ty
1	Right Cup	1
2	Left Cup	1
10	ø24mm Side Cover	2

- Step 1**  
Apply pressure to flange to install the (1) and (2) cups.
- Step 2**  
Insert (10) side covers.



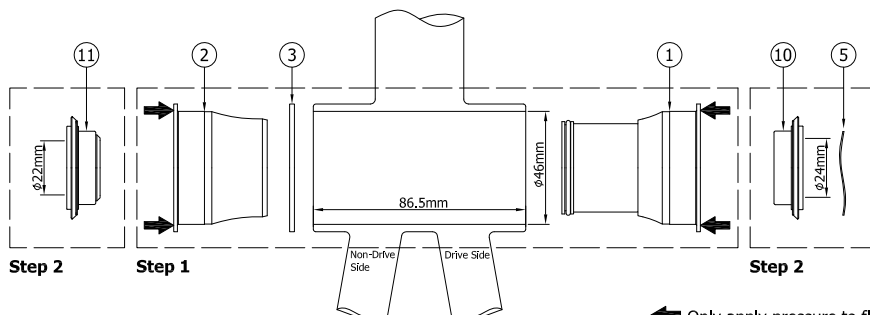
← Only apply pressure to flange when installing to prevent bearing damage.

SRAM GXP CRANKSET (DOUBLE ROAD ONLY)

#### MODEL: BB386PR/BB386PR-TBT BB386APR/BB386APR-TBT

No.	Description	Q'ty
1	Right Cup	1
2	Left Cup	1
3	2mm Spacer	1
5	Wave Washer	1
10	ø24mm Side Cover	1
11	ø22mm Side Cover	1

- Step 1**  
Apply pressure to flange to install the (1) and (2) cups.
- Step 2**  
Insert (10) and (11) side covers.



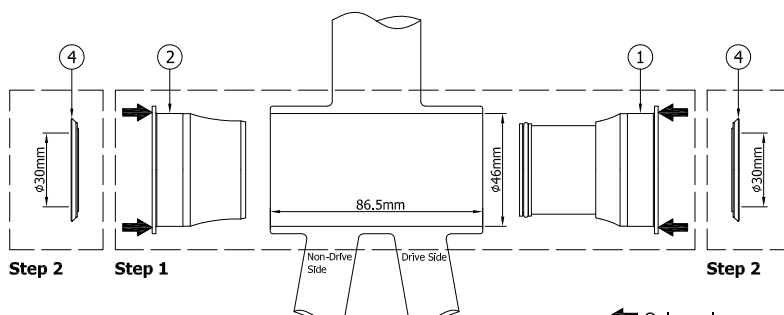
← Only apply pressure to flange when installing to prevent bearing damage.

BB386 CRANKSET

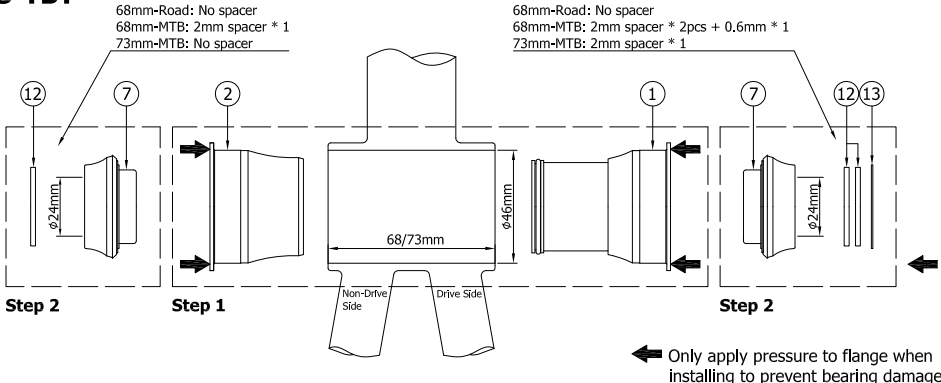
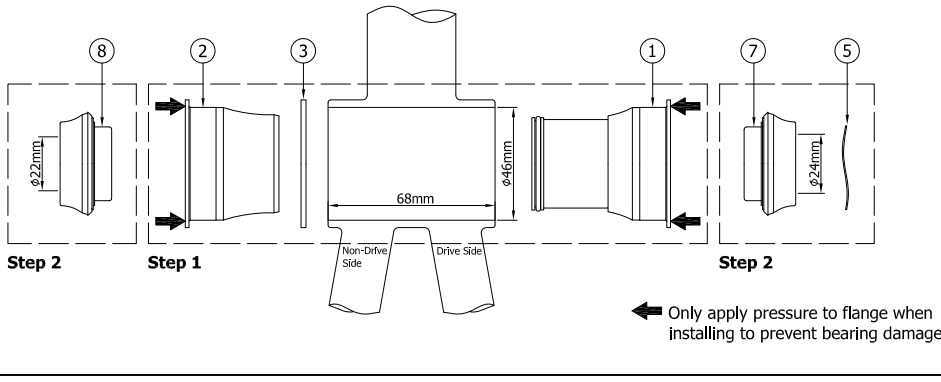
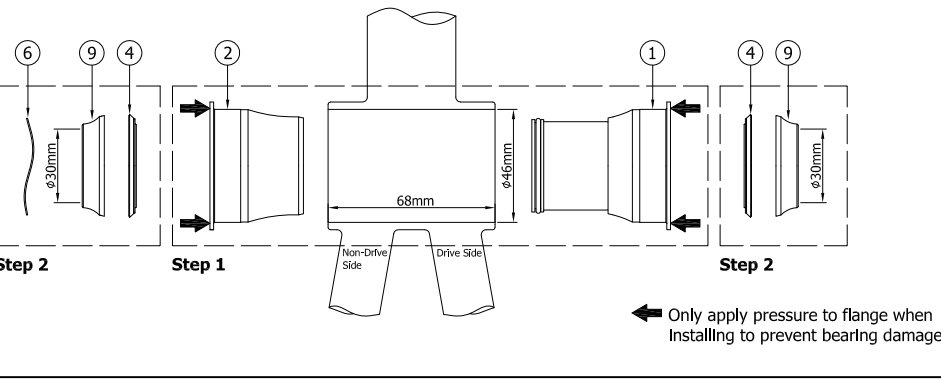
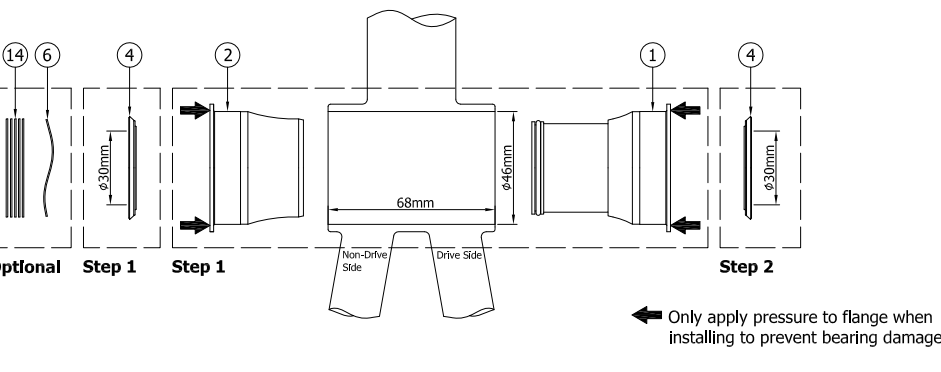
#### MODEL: PF30P/PF30P-TBT PF30AP/PF30AP-TBT

No.	Description	Q'ty
1	Right Cup	1
2	Left Cup	1
4	ø30mm Side Cover	2

- Step 1**  
Apply pressure to flange to install the (1) and (2) cups.
- Step 2**  
Insert (4) side covers.



← Only apply pressure to flange when installing to prevent bearing damage.

SHIMANO CRANKSET	<h3>PF30 FRAME</h3> <p><b>MODEL: PF30PS/PF30PS-TBT PF30APS/PF30APS-TBT</b></p> <table border="1"> <thead> <tr> <th>No.</th> <th>Description</th> <th>Q'ty</th> </tr> </thead> <tbody> <tr> <td>1</td> <td>Right Cup</td> <td>1</td> </tr> <tr> <td>2</td> <td>Left Cup</td> <td>1</td> </tr> <tr> <td>7</td> <td>∅24mm Side Cover</td> <td>2</td> </tr> <tr> <td>12</td> <td>2mm Spacer</td> <td>3</td> </tr> <tr> <td>13</td> <td>0.6mm Spacer</td> <td>1</td> </tr> </tbody> </table> <p>68mm-Road: No spacer 68mm-MTB: 2mm spacer * 1 73mm-MTB: No spacer</p> <p>68mm-Road: No spacer 68mm-MTB: 2mm spacer * 2pcs + 0.6mm * 1 73mm-MTB: 2mm spacer * 1</p> <p><b>Step 1</b> Apply pressure to flange to install the (1) and (2) cups.</p> <p><b>Step 2</b> Insert (7) side covers.</p>  <p style="text-align: right;">← Only apply pressure to flange when installing to prevent bearing damage.</p>	No.	Description	Q'ty	1	Right Cup	1	2	Left Cup	1	7	∅24mm Side Cover	2	12	2mm Spacer	3	13	0.6mm Spacer	1			
No.	Description	Q'ty																				
1	Right Cup	1																				
2	Left Cup	1																				
7	∅24mm Side Cover	2																				
12	2mm Spacer	3																				
13	0.6mm Spacer	1																				
SRAM GXP CRANKSET (DOUBLE ROAD ONLY)	<p><b>MODEL: PF30PR/PF30PR-TBT PF30APR/PF30APR-TBT</b></p> <table border="1"> <thead> <tr> <th>No.</th> <th>Description</th> <th>Q'ty</th> </tr> </thead> <tbody> <tr> <td>1</td> <td>Right Cup</td> <td>1</td> </tr> <tr> <td>2</td> <td>Left Cup</td> <td>1</td> </tr> <tr> <td>3</td> <td>2mm Spacer</td> <td>1</td> </tr> <tr> <td>5</td> <td>Wave Washer</td> <td>1</td> </tr> <tr> <td>7</td> <td>∅24mm Side Cover</td> <td>1</td> </tr> <tr> <td>8</td> <td>∅22mm Side Cover</td> <td>1</td> </tr> </tbody> </table> <p><b>Step 1</b> Apply pressure to flange to install the (1) and (2) cups.</p> <p><b>Step 2</b> Insert (7) and (8) side covers.</p>  <p style="text-align: right;">← Only apply pressure to flange when installing to prevent bearing damage.</p>	No.	Description	Q'ty	1	Right Cup	1	2	Left Cup	1	3	2mm Spacer	1	5	Wave Washer	1	7	∅24mm Side Cover	1	8	∅22mm Side Cover	1
No.	Description	Q'ty																				
1	Right Cup	1																				
2	Left Cup	1																				
3	2mm Spacer	1																				
5	Wave Washer	1																				
7	∅24mm Side Cover	1																				
8	∅22mm Side Cover	1																				
BB386 CRANKSET	<p><b>MODEL: PF30P+BB386R30 PF30AP+BB386R30</b></p> <table border="1"> <thead> <tr> <th>No.</th> <th>Description</th> <th>Q'ty</th> </tr> </thead> <tbody> <tr> <td>1</td> <td>Right Cup</td> <td>1</td> </tr> <tr> <td>2</td> <td>Left Cup</td> <td>1</td> </tr> <tr> <td>4</td> <td>∅30mm Side Cover</td> <td>2</td> </tr> <tr> <td>6</td> <td>Wave Washer</td> <td>1</td> </tr> <tr> <td>9</td> <td>Side Cover</td> <td>2</td> </tr> </tbody> </table> <p><b>Step 1</b> Apply pressure to flange to install the (1) and (2) cups.</p> <p><b>Step 2</b> Insert (4) and (9) side covers.</p>  <p style="text-align: right;">← Only apply pressure to flange when installing to prevent bearing damage.</p>	No.	Description	Q'ty	1	Right Cup	1	2	Left Cup	1	4	∅30mm Side Cover	2	6	Wave Washer	1	9	Side Cover	2			
No.	Description	Q'ty																				
1	Right Cup	1																				
2	Left Cup	1																				
4	∅30mm Side Cover	2																				
6	Wave Washer	1																				
9	Side Cover	2																				
BB30 CRANKSET (ROAD ONLY)	<p><b>MODEL: PF30P/PF30P-TBT PF30AP/PF30AP-TBT</b></p> <table border="1"> <thead> <tr> <th>No.</th> <th>Description</th> <th>Q'ty</th> </tr> </thead> <tbody> <tr> <td>1</td> <td>Right Cup</td> <td>1</td> </tr> <tr> <td>2</td> <td>Left Cup</td> <td>1</td> </tr> <tr> <td>4</td> <td>∅30mm Side Cover</td> <td>2</td> </tr> <tr> <td>6</td> <td>Wave Washer</td> <td>1</td> </tr> <tr> <td>14</td> <td>0.6mm Spacer</td> <td>5</td> </tr> </tbody> </table> <p><b>Step 1</b> Apply pressure to flange to install the (1) and (2) cups.</p> <p><b>Step 2</b> Insert (4) side covers.</p> <p><i>*Optional</i></p>  <p style="text-align: right;">← Only apply pressure to flange when installing to prevent bearing damage.</p>	No.	Description	Q'ty	1	Right Cup	1	2	Left Cup	1	4	∅30mm Side Cover	2	6	Wave Washer	1	14	0.6mm Spacer	5			
No.	Description	Q'ty																				
1	Right Cup	1																				
2	Left Cup	1																				
4	∅30mm Side Cover	2																				
6	Wave Washer	1																				
14	0.6mm Spacer	5																				