

BB47 Series (T47) Inboard BB Installation Instructions

IMPORTANT NOTICE:

- Do not alter this product in any way as it can cause unseen damage. Any modifications to this product will void the warranty.
- TOKEN suggests taking your bottom bracket to your local authorized TOKEN dealer for installation, service and adjustments.
- Read the user's guide before installation and use. Follow all instructions carefully. If you have any questions, don't ride the bike. Take it to your local TOKEN dealer for assistance.

BEFORE RIDING:

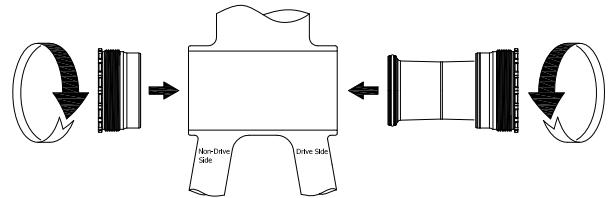
- Check that there is no side-to-side movement in the bottom bracket. Also check that the cranks spin smoothly. If there is movement or the bottom bracket is not smooth, take the bicycle to your local TOKEN dealer for service or replacement.
- Ensure that the cranks are firmly attached to the bottom bracket. Improperly attached cranks can become detached from the bicycle and serious injury can result. Never ride a bicycle with improperly attached cranks.

AFTER RIDING:

- When cleaning the bottom bracket, only use mild soap and water. Never spray the bottom bracket with high-pressure water. Water can enter the bottom bracket and cause it to wear prematurely.

WARRANTY:

All TOKEN products are guaranteed against defects in materials or workmanship for two (2) years from the original date of purchase. This warranty applies to the original owner only and is not transferable. The warranty is considered void if resold. The warranty does not cover normal wear and tear or damage from abuse. Please see our website or contact your local dealer or distributor for more details.



Step 1

Install any necessary spacer or adaptor, according to chart.

Step 2

Thread the cups into the frame using BB tool, ensuring they are tightened according to the direction arrows on the bottom bracket.

Step 3

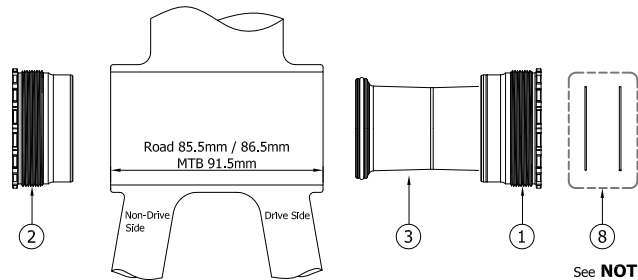
Use a torque wrench to tighten to 35-50 N.m (310-443 In-lb)

www.tokenproducts.com

SHIMANO ROAD(85.5mm/86.5mm) / MTB(91.5mm) CRANKSET

- 86.5mm/91.5mm** BB47V24 (TBT/STD)
- 85.5mm** BB47V24-NR (TBT/STD)

No.	Description	Q'ty
1	Right Cup	1
2	Left Cup	1
3	Center Sleeve	1
8	0.6mm Spacer	2



NOTE :

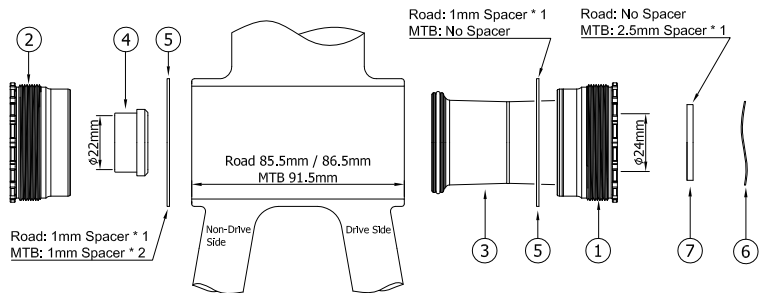
The two (8) outboard spacers are needed only when using the BB with Shimano MTB crankset with single chainring.

See NOTE first !

SRAM GXP ROAD(85.5mm/86.5mm) / MTB(91.5mm) CRANKSET

- 86.5mm/91.5mm** BB47VGXP (TBT/STD)
- 85.5mm** BB47VGXP-NR (TBT/STD)

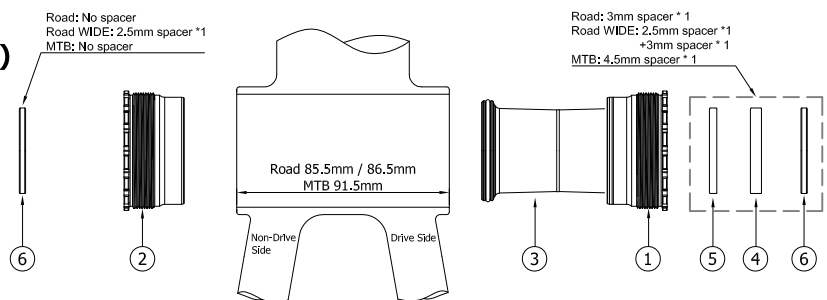
No.	Description	Q'ty
1	Right Cup	1
2	Left Cup	1
3	Center Sleeve	1
4	GXP Adaptor	1
5	1mm Inboard Spacer	2
6	ø24 Wave Washer	1
7	2.5mm Spacer	1



SRAM DUB ROAD(85.5mm/86.5mm) / MTB(91.5mm) CRANKSET

- 86.5mm/91.5mm** BB47V29 (TBT/STD)
- 85.5mm** BB47V29-NR (TBT/STD)

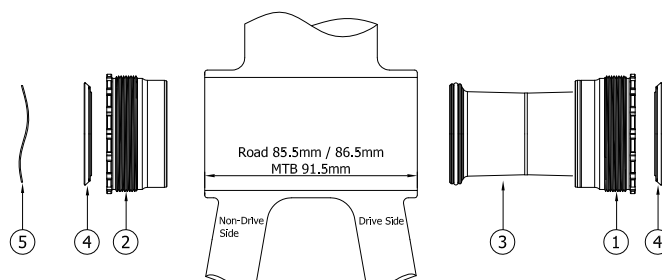
No.	Description	Q'ty
1	Right Cup	1
2	Left Cup	1
3	Center Sleeve	1
4	4.5mm Spacer	1
5	3mm Spacer	1
6	2.5mm Spacer	2



BB386(85.5mm/86.5mm) / BB392(91.5mm) CRANKSET

- 86.5mm/91.5mm** BB47V386 (TBT/STD)
- 85.5mm** BB47V386-NR (TBT/STD)

No.	Description	Q'ty
1	Right Cup	1
2	Left Cup	1
3	Center Sleeve	1
4	Bearing Cover	2
5	ø30 Wave Washer	1



NOTICE

Installation tool TF4630-3SPA-2 is sold separately.

T47 FRAME (M47 x 85.5mm / 86.5mm / 91.5mm)