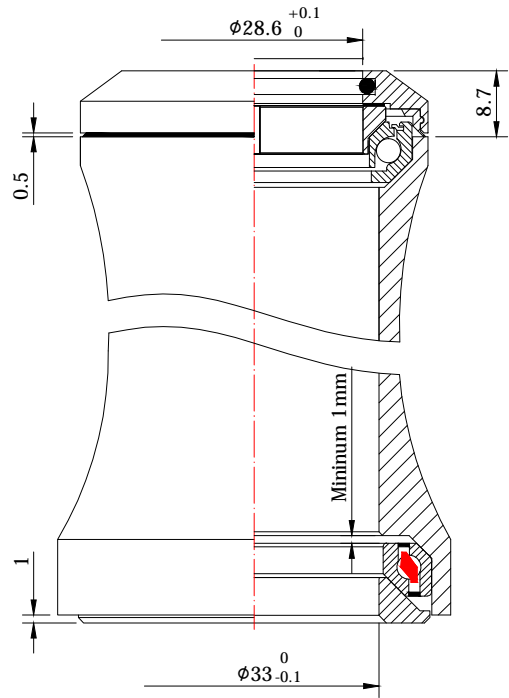
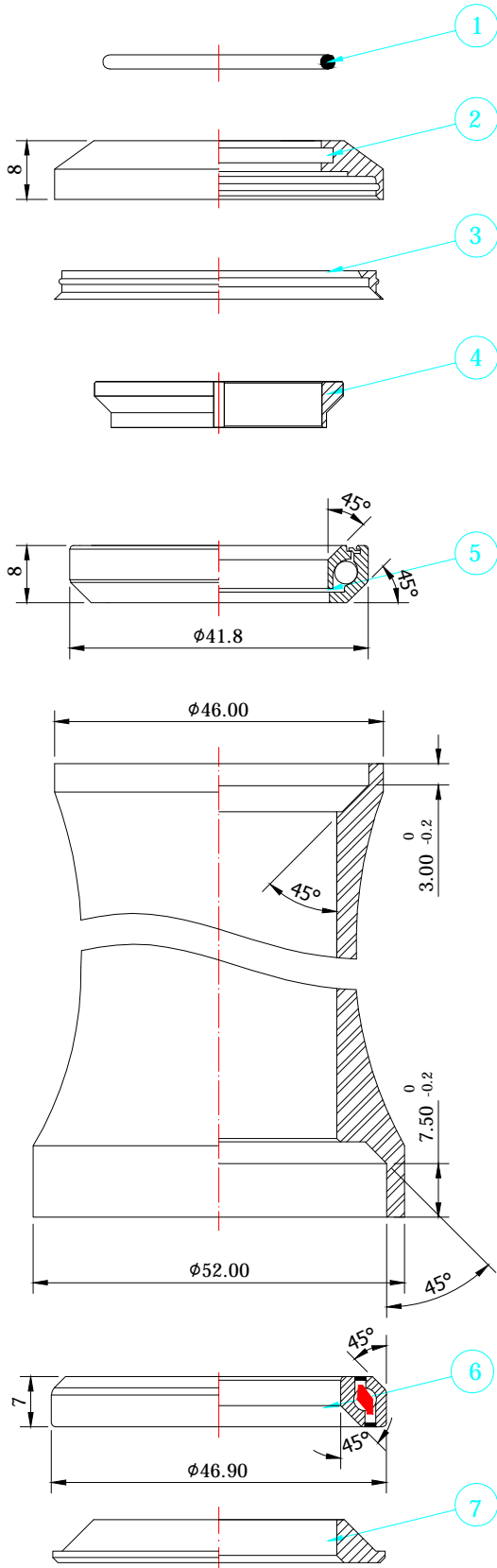


A7M

1-1/8"+1-1/4" Taper Integrated Headset



Stack Height  $8.7+1.0=9.7\text{mm}$

- Headtube OD: Taper 46mm/52mm
- Fork Steerer: Taper 1-1/8" to 1-1/4"
- Top Cover: Alloy 8mm
- Bearing: Sealed Bearing
- Compatible: No.44E

SHIS code: IS42/28.6 | IS47/33

No.	Item	Material	Drawing	Q'ty
1	O-Ring	NBR-70	A1-8	1
2	Top Cover	Alloy	A3-3	1
3	Water Seal	NBR-70	A3-9	1
4	Compression Ring	Alloy	A1-2	1
5	Sealed Bearing	Steel	418M	1
6	Sealed Bearing	Steel	469M	1
7	Crown Race	Alloy	A7-6	1

Unit: mm

Scale: 1:1

Version: A  
2016.12.21