



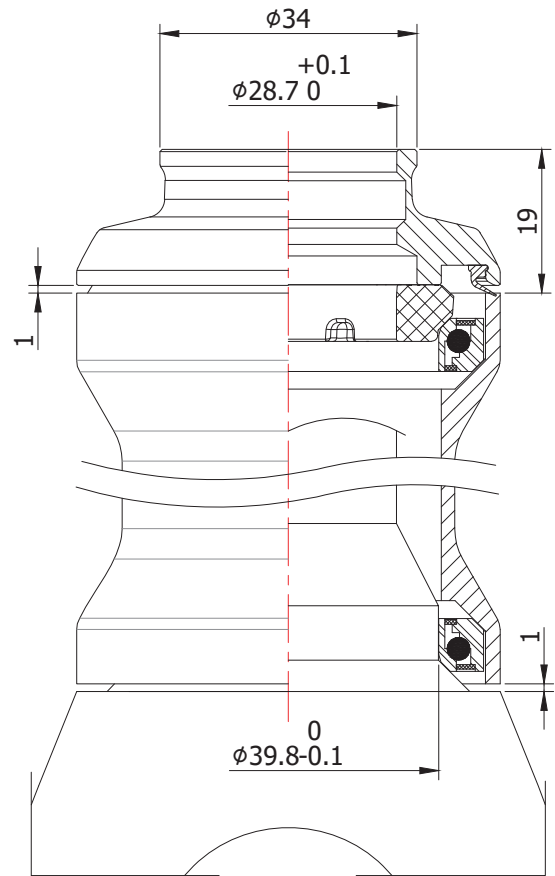
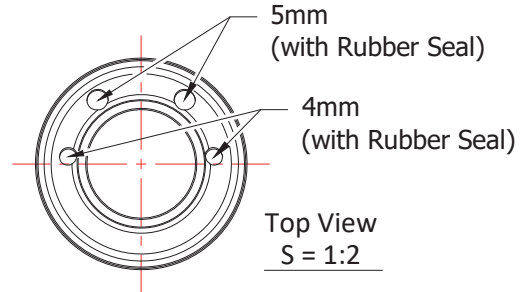
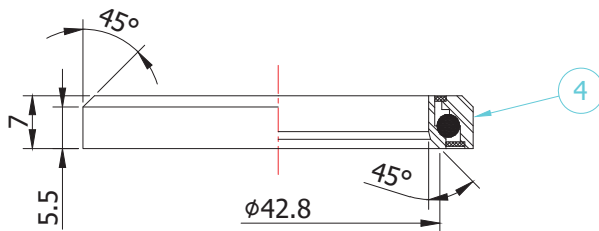
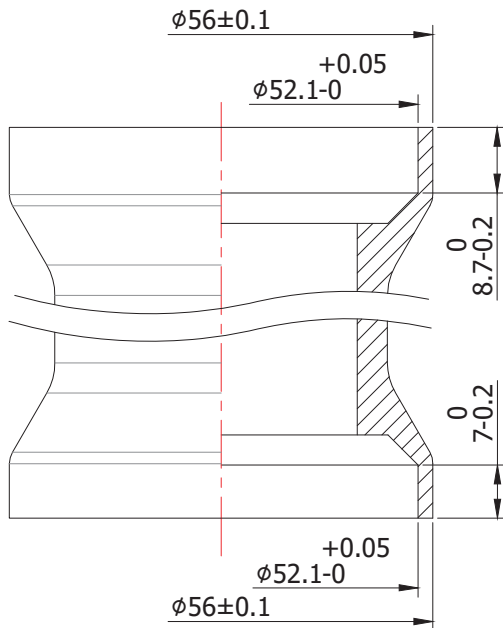
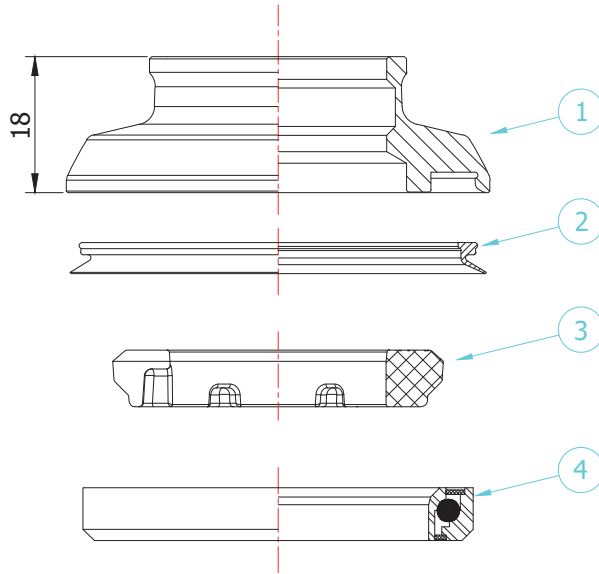
S-BOX

Semi-Integrated Cable Routing System

TK155S-CHHC

S-Box Headset

For $\phi 4\text{mm}$ Housing x2 + $\phi 5\text{mm}$ Brake Line x2



Stack Height: $19 + 1 = 10\text{mm}$

SHIS code: IS52/28.6 | IS52/40

No.	Item	Material	Drawing	Q'ty
1	Top Cover	Alloy	TK155S-2	1
2	Seal	NBR	TK155-1	1
3	Compression Ring	Composite	TK155-3	1
4	Sealed Bearing	Steel	ACB52H7/4	2

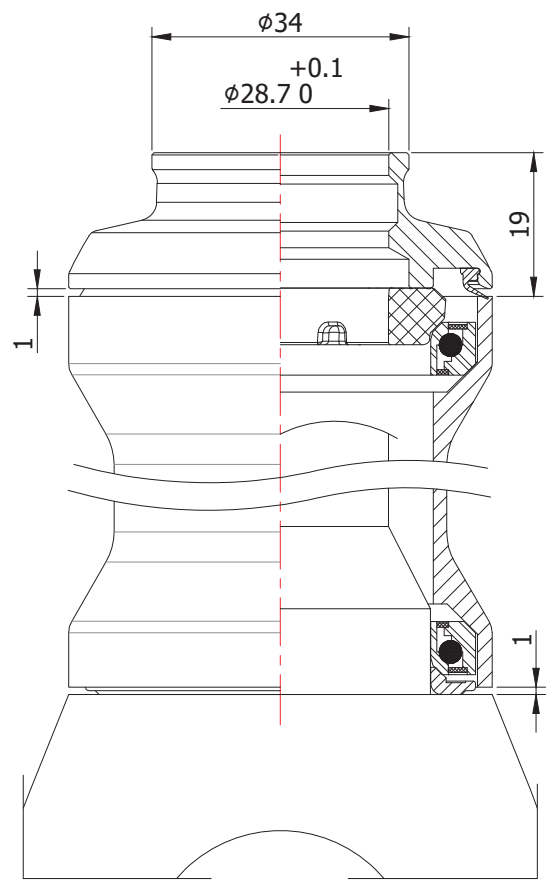
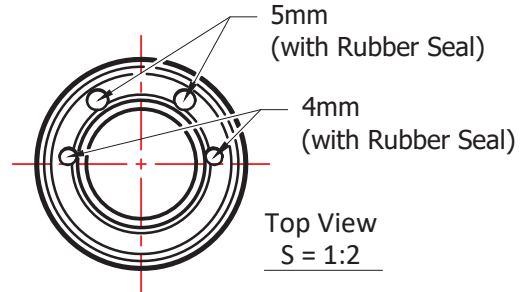
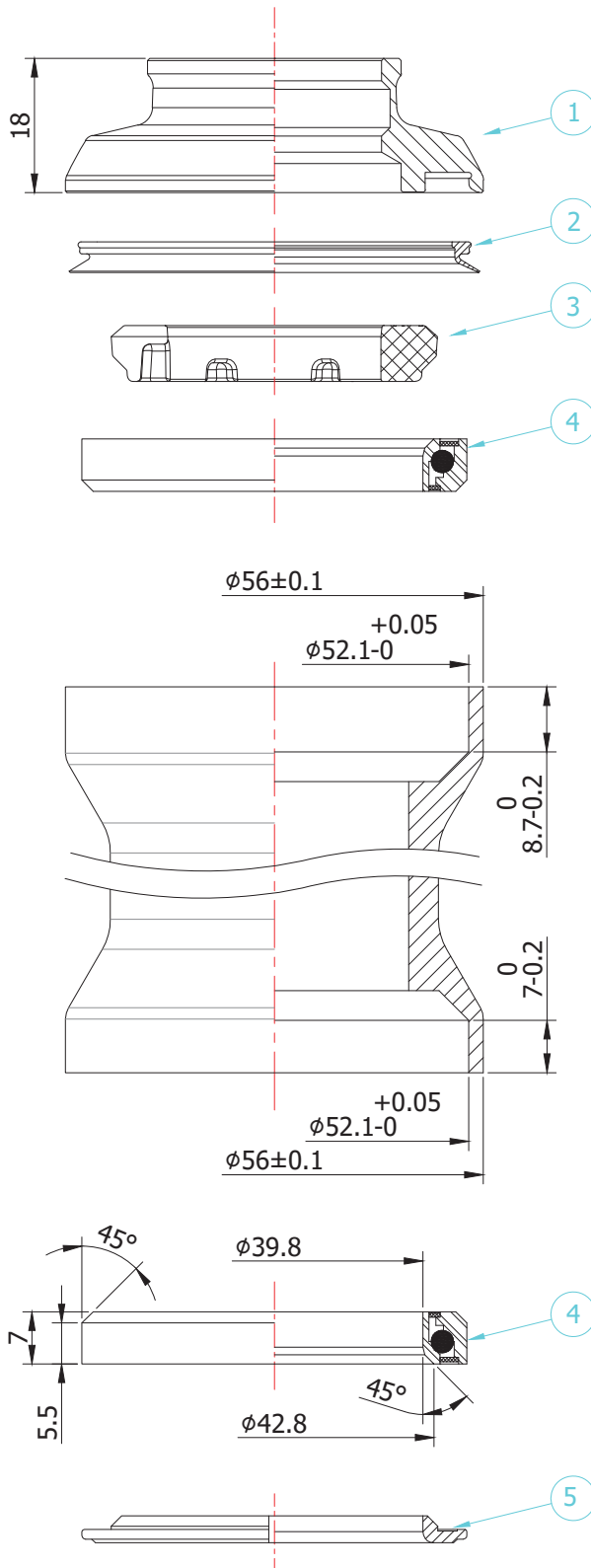
Unit: mm

Scale: 1:1

Revision: D
2020.05.08

TK1556S-CHHC

S-Box Headset w/ Alloy Crown Race
For $\phi 4\text{mm}$ Housing x2 + $\phi 5\text{mm}$ Brake Line x2



Stack Height: 19+1=10mm

SHIS code: IS52/28.6 | IS52/40

No.	Item	Material	Drawing	Q'ty
1	Top Cover	Alloy	TK155S-2	1
2	Seal	NBR	TK155-1	1
3	Compression Ring	Composite	TK155-3	1
4	Sealed Bearing	Steel	ACB52H7/4	2
5	Crown Race	Alloy	TK1556-6	1

Unit: mm

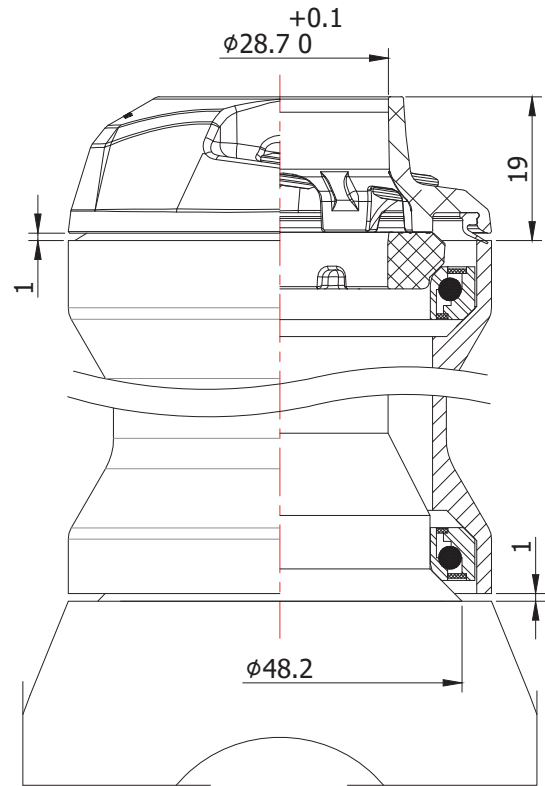
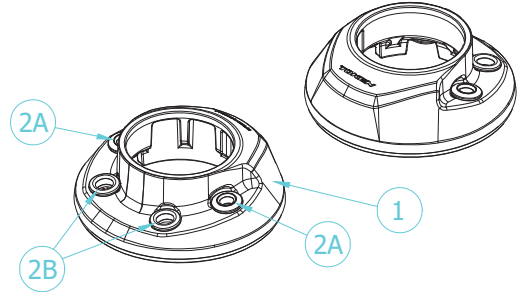
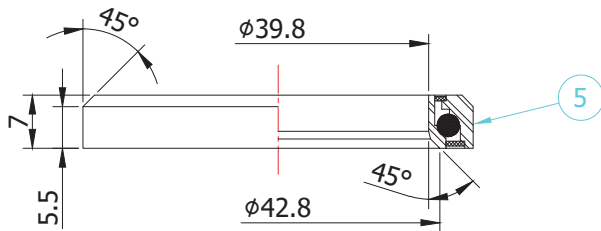
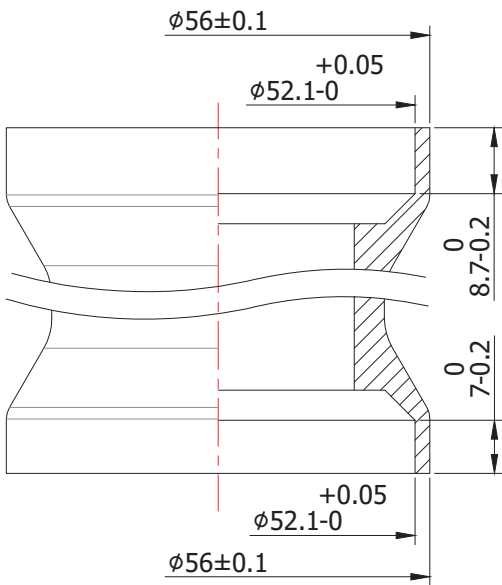
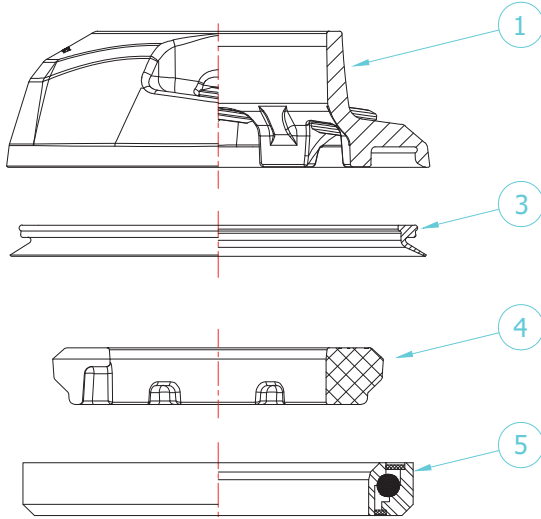
Scale: 1:1

Revision: B
2020.05.08

TK155SP-CHHC

S-Box Headset

For $\phi 4\text{mm}$ Housing x2 + $\phi 5\text{mm}$ Brake Line x2



Stack Height: $19 + 1 = 20\text{mm}$

SHIS code: IS52/28.6 | IS52/40

No.	Item	Material	Drawing	Q'ty
1	Top Cover	Composite	TK155SP-1	1
2A	Housing Seal 4mm	NBR	TK155SP-4	2
2B	Housing Seal 5mm	NBR	TK155SP-5	2
3	Top Cover Seal	NBR	TK155-1	1
4	Compression Ring	Composite	TK155-3	1
5	Sealed Bearing	Steel	ACB52H7/4	2

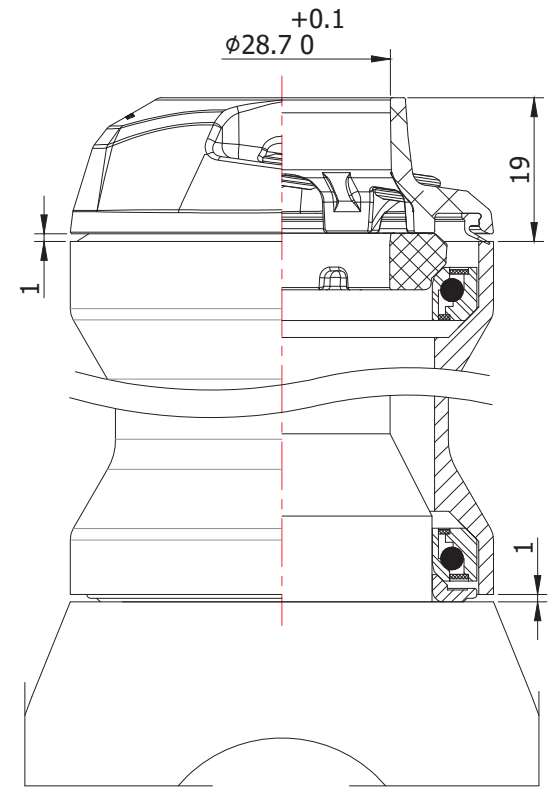
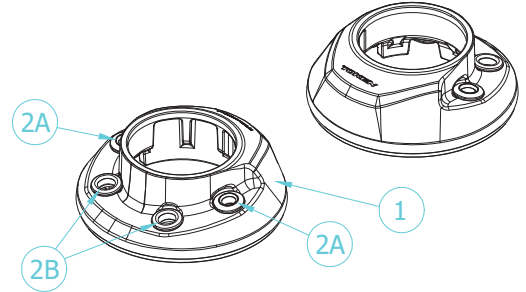
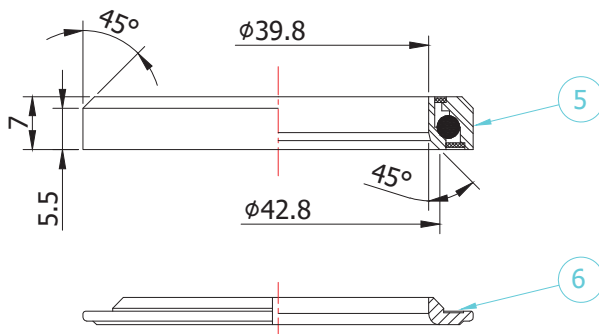
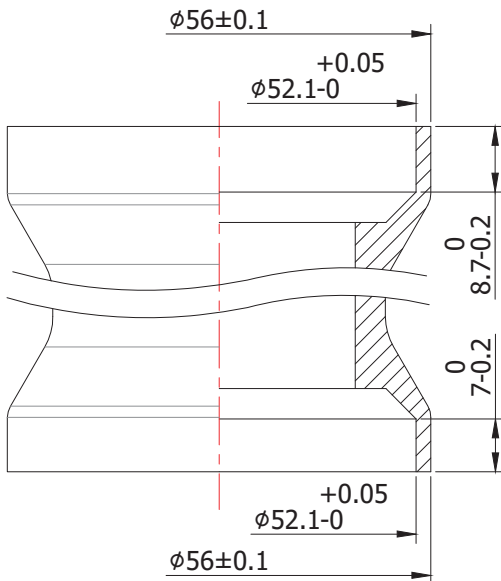
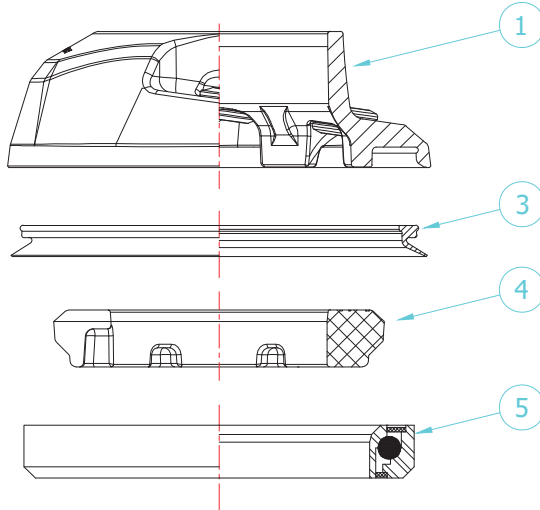
Unit: mm

Scale: 1:1

Revision: C
2020.05.08

TK1556SP-CHHC

S-Box Headset w/ Alloy Crown Race
For $\phi 4\text{mm}$ Housing x2 + $\phi 5\text{mm}$ Brake Line x2



Stack Height: $19 + 1 = 20\text{mm}$

SHIS code: IS52/28.6 | IS52/40

No.	Item	Material	Drawing	Q'ty
1	Top Cover	Composite	TK155SP-1	1
2A	Housing Seal 4mm	NBR	TK155SP-4	2
2B	Housing Seal 5mm	NBR	TK155SP-5	2
3	Top Cover Seal	NBR	TK155-1	1
4	Compression Ring	Composite	TK155-3	1
5	Sealed Bearing	Steel	ACB52H7/4	2
6	Crown Race	Alloy	TK1556-6	1

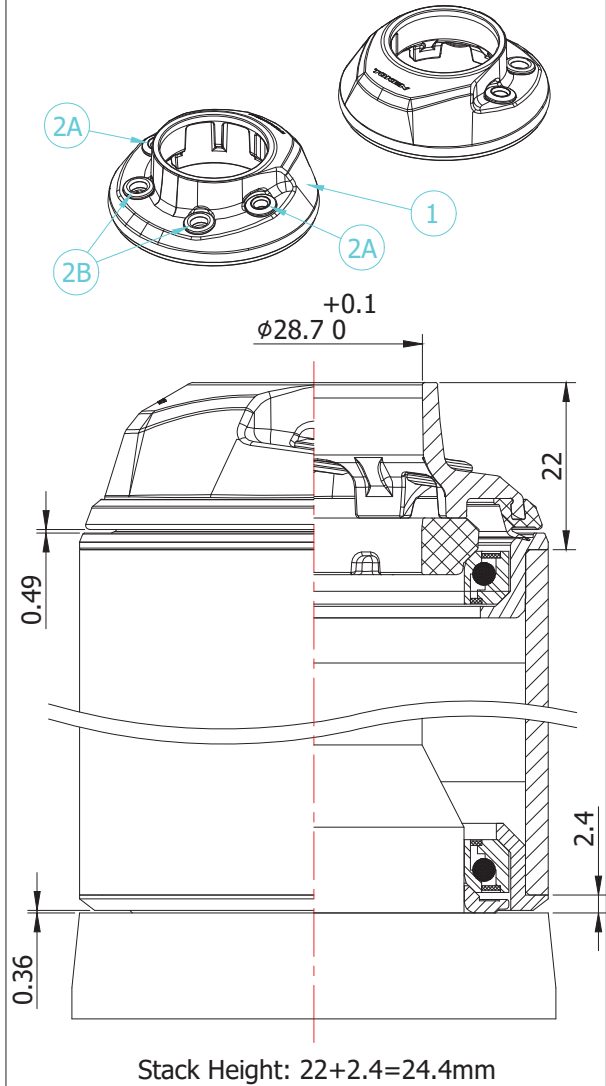
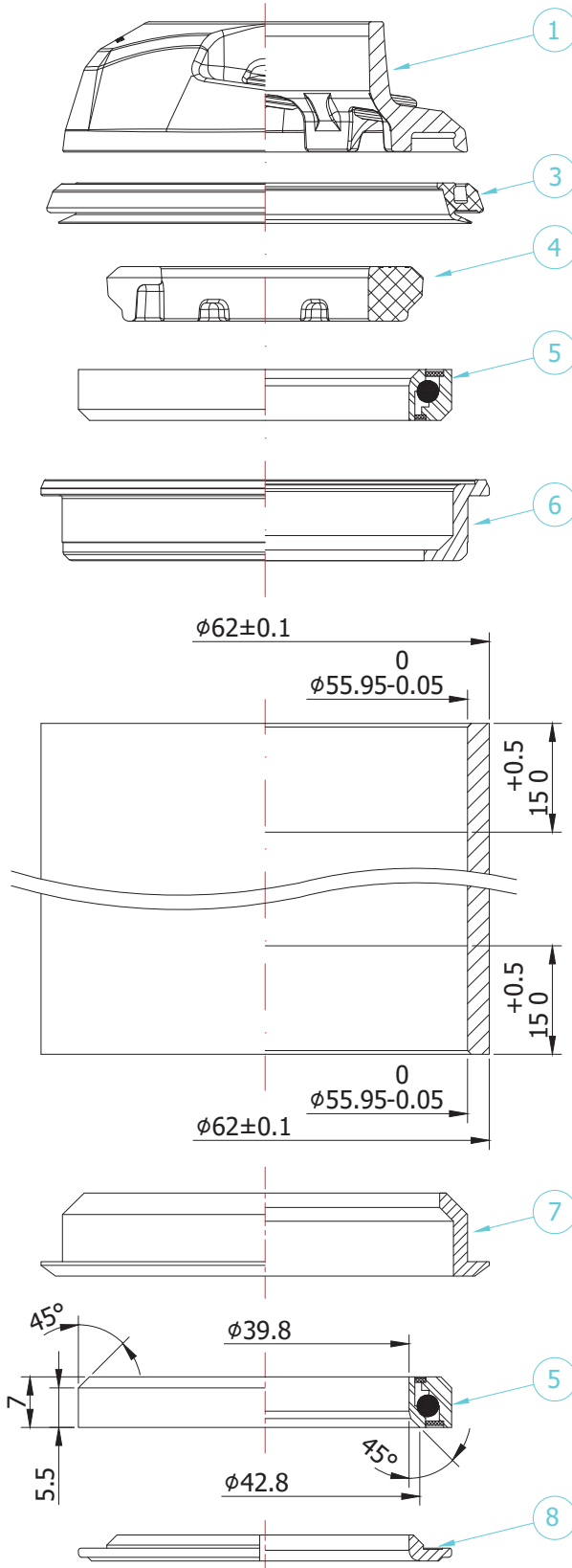
Unit: mm

Scale: 1:1

Revision: B
2020.05.08

TK1566SP-CHHC

S-Box Headset w/ Alloy Cups and Alloy Crown Race
For $\phi 4\text{mm}$ Housing x2 + $\phi 5\text{mm}$ Brake Line x2



SHIS code: ZS56/28.6 | ZS56/40

No.	Item	Material	Drawing	Q'ty
1	Top Cover	Composite	TK155SP-1	1
2A	Housing Seal 4mm	NBR	TK155SP-4	2
2B	Housing Seal 5mm	NBR	TK155SP-5	2
3	Top Cover Seal	NBR	TK156-1	1
4	Compression Ring	Composite	TK155-3	1
5	Sealed Bearing	Steel	ACB52H7/4	2
6	Upper Cup	Alloy	TK156-4-56	1
7	Lower Cup	Alloy	072-5	1
8	Crown Race	Alloy	TK1556-6	1

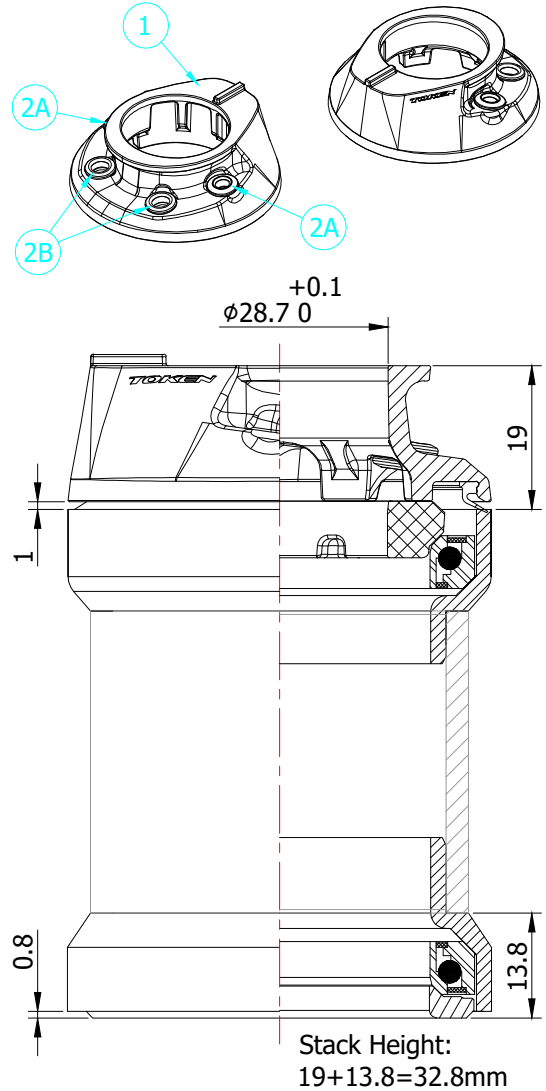
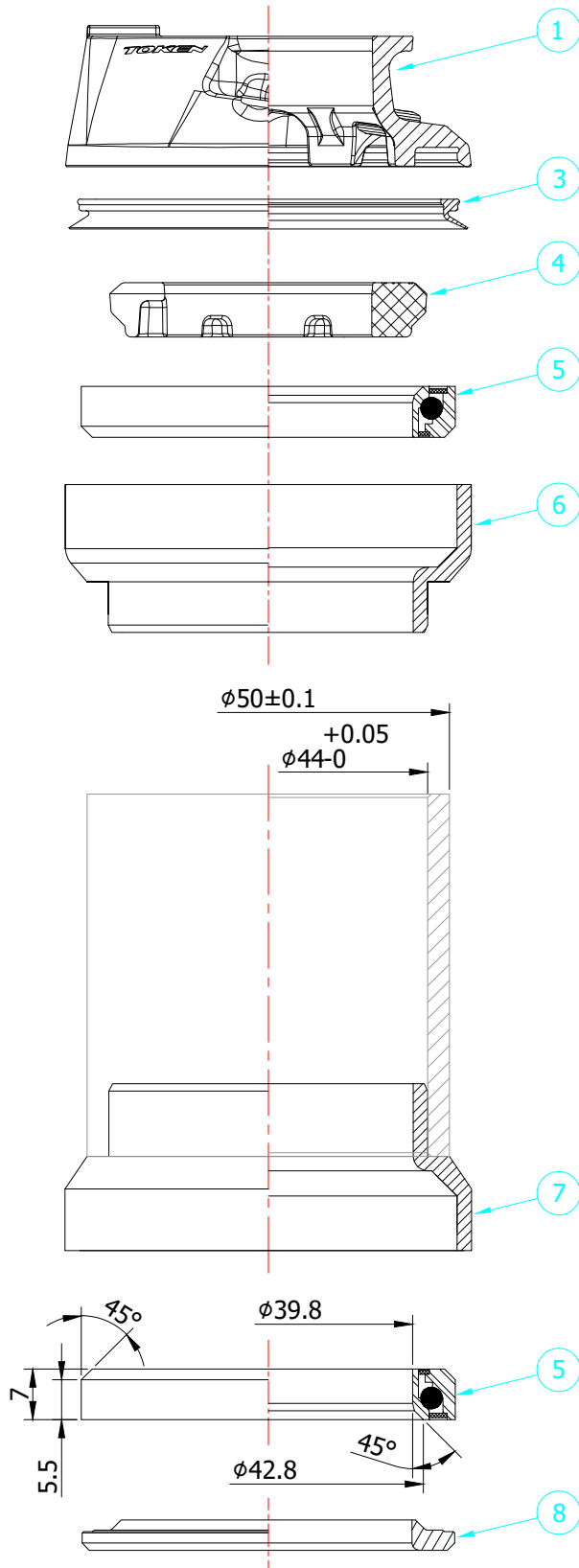
Unit: mm

Scale: 1:1

Revision: B
2020.05.08

TK1536SPH-CHHC

S-Box Headset / Proprietary Interface of HL Corp
For $\phi 4\text{mm}$ Housing x2 + $\phi 5\text{mm}$ Brake Line x2



SHIS code: EC44/28.6 | EC44/40

No.	Item	Material	Drawing	Q'ty
1	Top Cover	Composite	TK155SPH-1	1
2A	Housing Seal 4mm	NBR	TK155SP-4	2
2B	Housing Seal 5mm	NBR	TK155SP-5	2
3	Top Cover Seal	NBR	TK155-1	1
4	Compression Ring	Composite	TK155-3	1
5	Sealed Bearing	Steel	ACB52H7/4	2
6	Upper External Cup	Alloy	TK1536-4	1
7	Lower External Cup	Alloy	036T-5	1
8	Crown Race	Alloy	072-6/2	1

Unit: mm

Scale: 1:1

Revision: A
2021.01.21