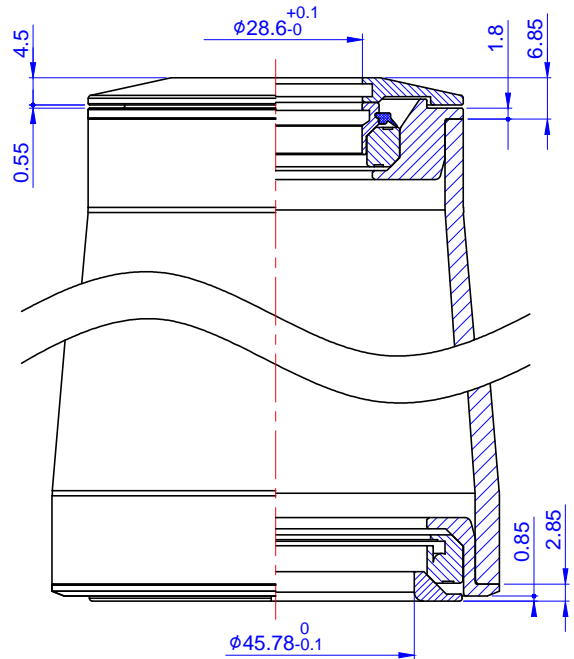
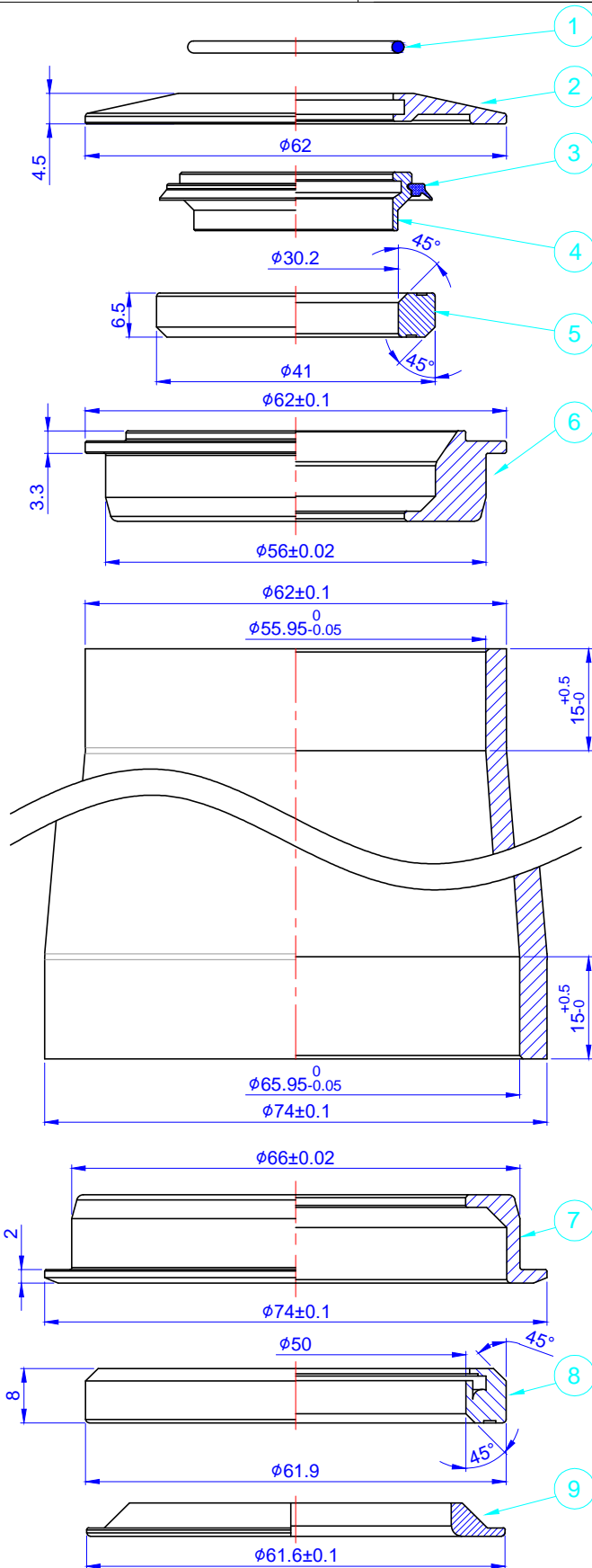


## TK188

## 1.8" Internal Headset



Stack Height:  $6.85 + 2.85 = 9.7$  mm

- Fork Steerer: Taper 1-1/8" to 1.8"

SHIS code: ZS56/28.6 | ZS66/46

No.	Item	Material	Drawing	Q'ty
1	O-Ring	NBR-70	A1-8	1
2	Top Cover	Alloy	TK188-3	1
3	Water Seal	NBR-70	TK011A-8	1
4	Compression Ring	Alloy	A3-2	1
5	Bearing	SUJ-2	ACB41	1
6	Upper Cup	Alloy	TK188-4	1
7	Lower Cup	Alloy	TK188-5	1
8	Bearing	SUJ-2	ACB619	1
9	Crown Race	Alloy	TK188-6	1

Unit: mm

Scale: 1:1

Revision: C  
2021.07.22