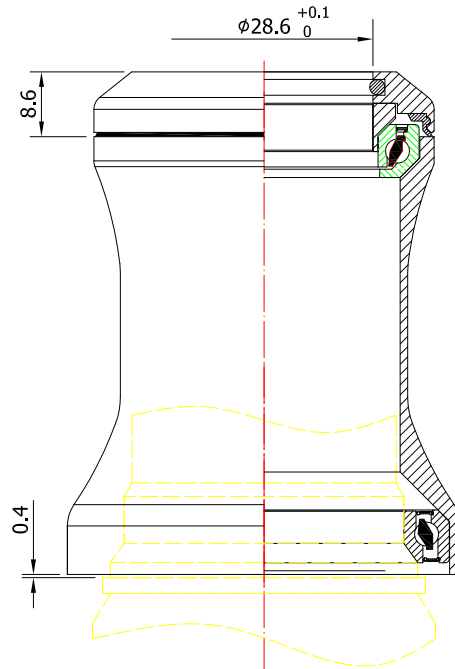
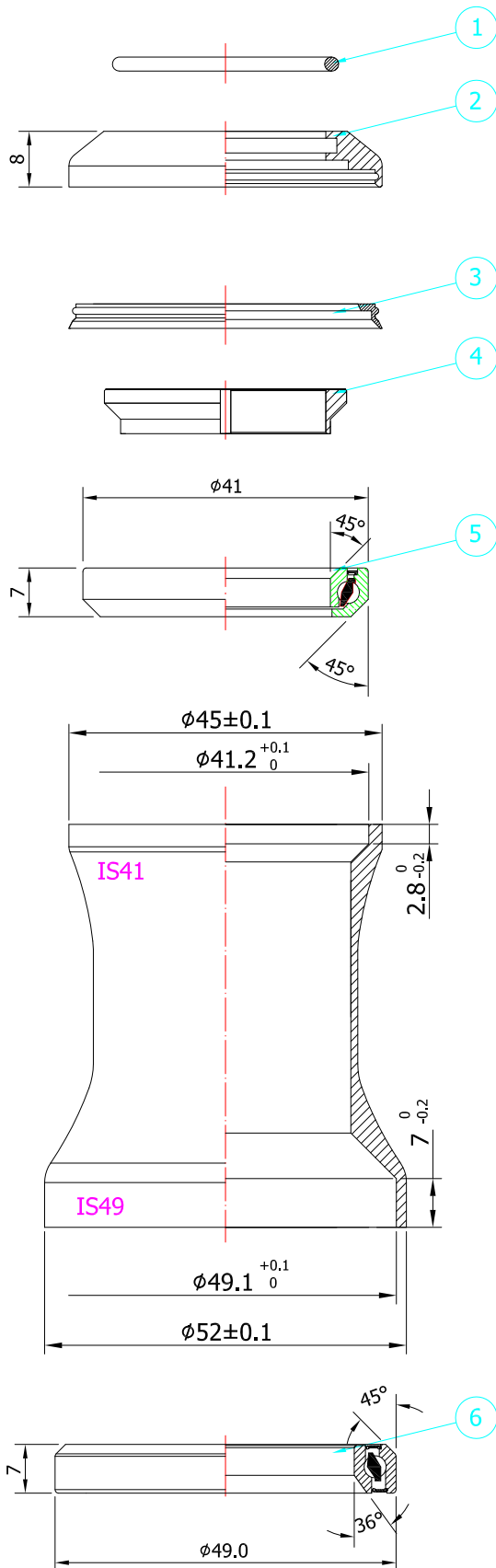


# TOKEN HEADSET TECHNICAL MANUAL

**A138**

1-1/8"+1-3/8" Integrated Headset



- Headtube OD: Taper 45mm/52mm
- Fork Steerer: 1-1/8"+1-3/8"
- Top Cover: Alloy 8mm
- Bearing: Premium Bearing
- Compatible: Orbit IS 138 (IS-2-138)

SHIS code: IS41/28.6 | IS49

No.	Item	Material	Drawing	Q'ty
1	O-Ring	NBR-70	AS024	1
2	Top Cover	Alloy	A1-3	1
3	Water Seal	NBR-70	A1-9	1
4	Compression Ring	Alloy	A1-2	1
5	1-1/8" Premium Bearing	Steel	410A	1
6	1-3/8" Premium Bearing	Steel	490B	1

Unit: mm

Scale: 1:1

Version: A  
2016.03.14