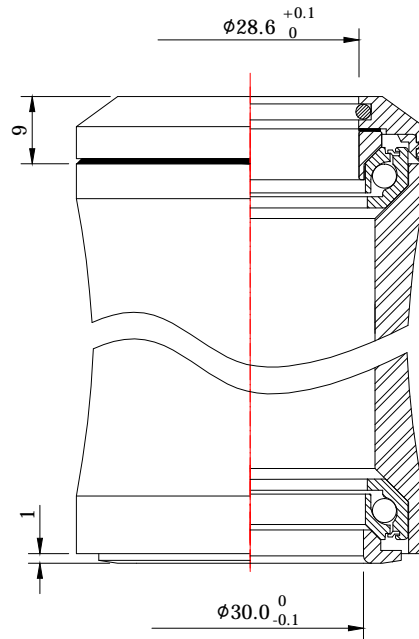
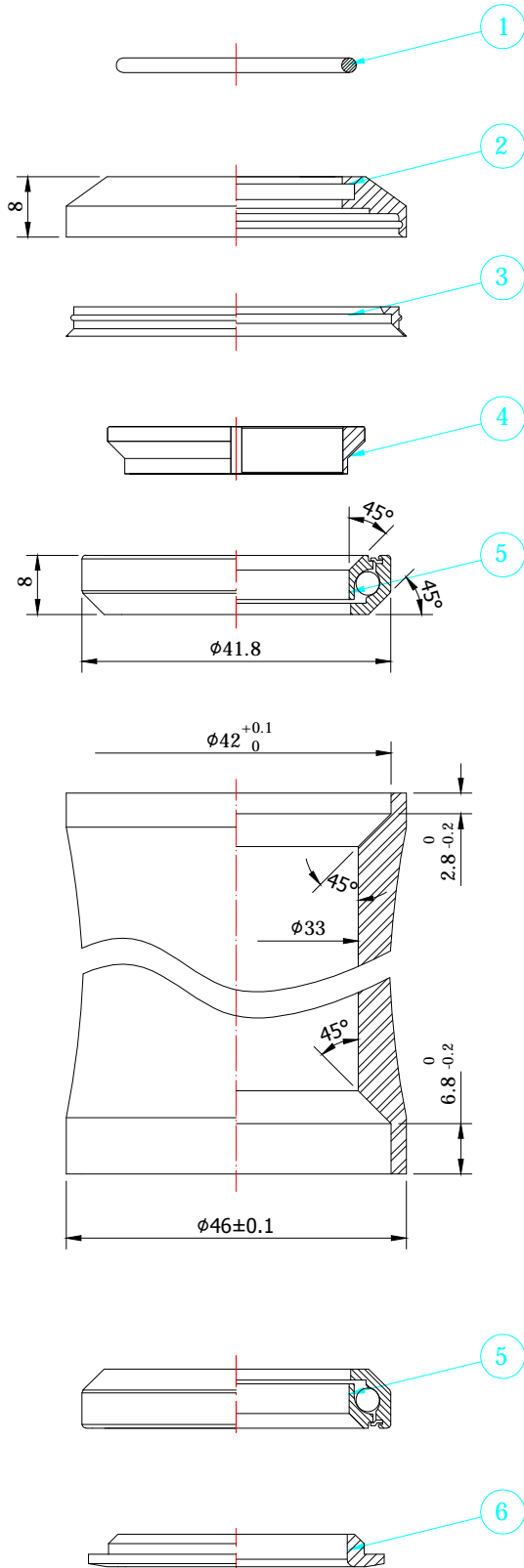


A3M

1-1/8" Integrated Headset



Stack Height: 9+1=10mm

- Headtube OD: 46mm
- Fork Steerer: 1-1/8"
- Top Cover: Alloy 8mm
- Bearing: Sealed Bearing
- Compatible: No.8B

SHIS code: IS42/28.6 | IS42/30

| No. | Item             | Material | Drawing | Q'ty |
|-----|------------------|----------|---------|------|
| 1   | O-Ring           | NBR-70   | A1-8    | 1    |
| 2   | Top Cover        | Alloy    | A3-3    | 1    |
| 3   | Water Seal       | NBR-70   | A3-9    | 1    |
| 4   | Compression Ring | Alloy    | A1-2    | 1    |
| 5   | Sealed Bearing   | Steel    | 418M    | 2    |
| 6   | Crown Race       | Steel    | 6204-3  | 1    |

Unit: mm

Scale: 1:1

Version: B  
2016.11.08