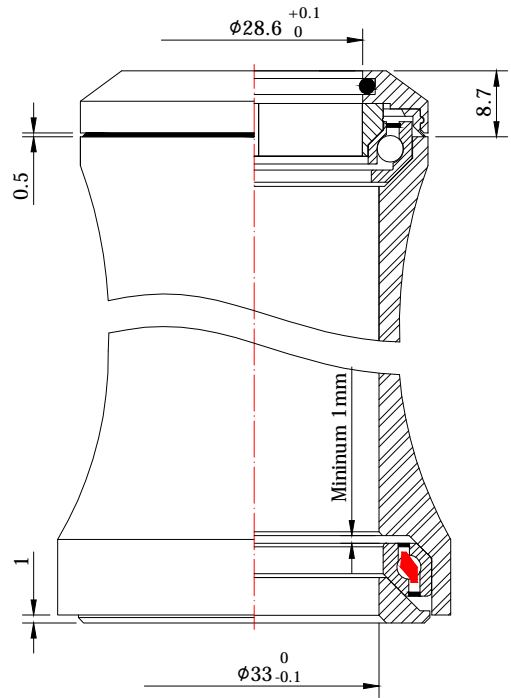
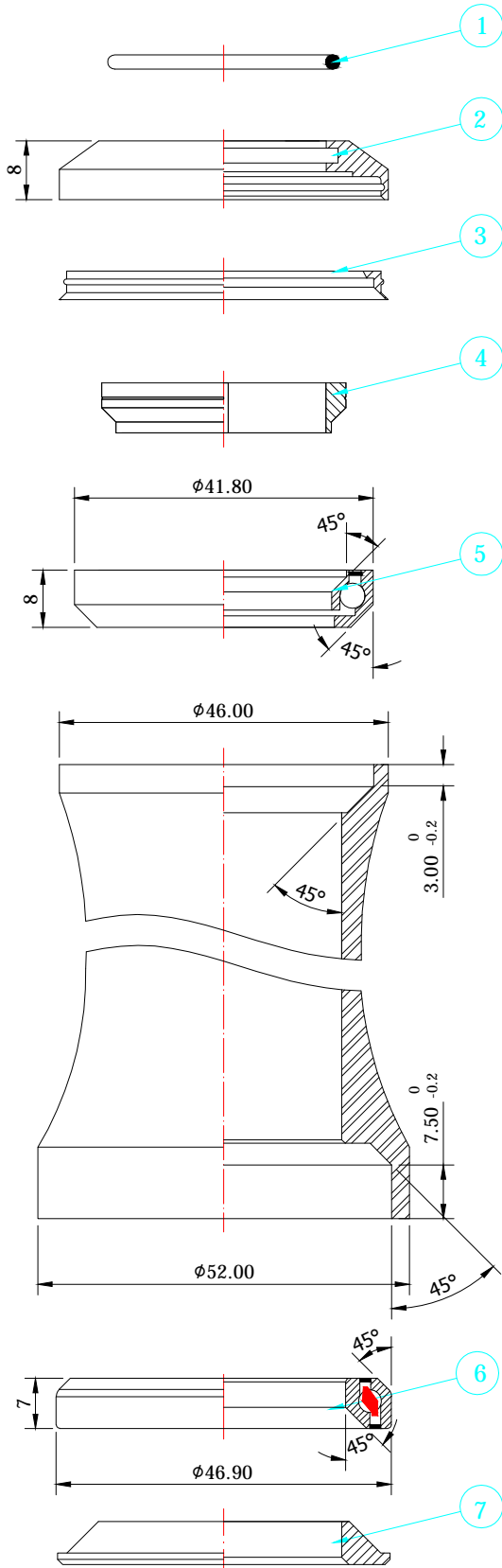


A7

1-1/8"+1-1/4" Taper Integrated Headset



Stack Height 8.7+1.0=9.7mm

- Headtube OD: Taper 46mm/52mm
- Fork Steerer: Taper 1-1/8" to 1-1/4"
- Top Cover: Alloy 8mm
- Bearing: Premium Bearing
- Compatible: No.44E

SHIS code: IS42/28.6 | IS47/33

| No. | Item             | Material | Drawing | Q'ty |
|-----|------------------|----------|---------|------|
| 1   | O-Ring           | NBR-70   | A1-8    | 1    |
| 2   | Top Cover        | Alloy    | A3-3    | 1    |
| 3   | Water Seal       | NBR-70   | A3-9    | 1    |
| 4   | Compression Ring | Alloy    | A3-2    | 1    |
| 5   | Premium Bearing  | Steel    | 418CA   | 1    |
| 6   | Premium Bearing  | Steel    | 469A    | 1    |
| 7   | Crown Race       | Alloy    | A7-6    | 1    |

Unit: mm

Scale: 1:1

Version: A  
2016.12.21