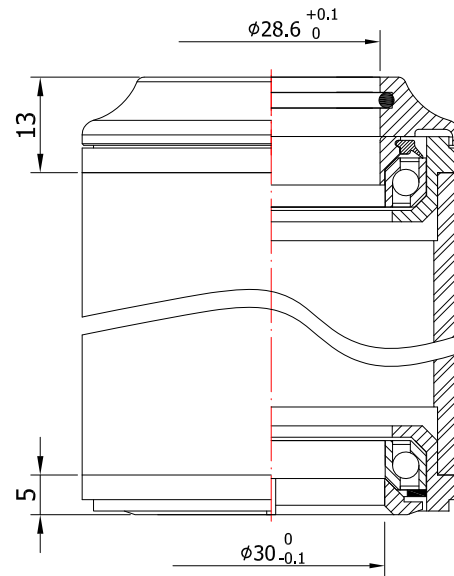
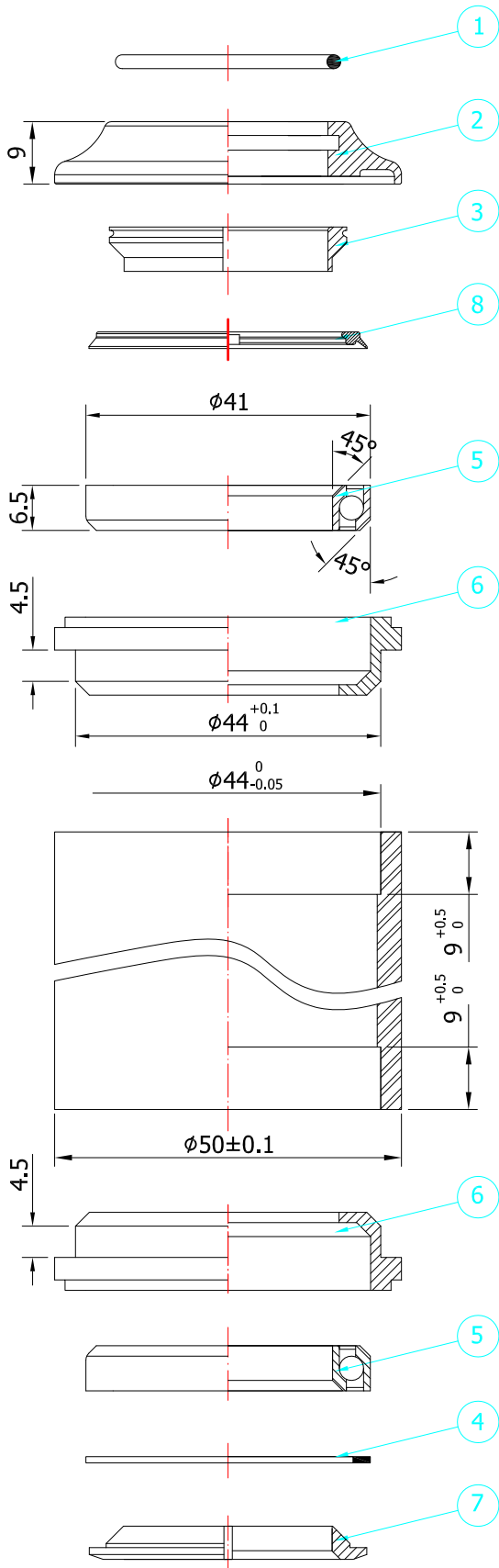


TK011A

1-1/8" Internal Headset (Semi-Integrated)



Stack Height: 13+5=18mm

- Headtube OD: 50mm
- Fork Steerer: 1-1/8"
- Top Cover: Alloy 9mm
- Bearing: Sealed Bearing
- Compatible: Orbit Z, No.9M

SHIS code: ZS44/28.6 | ZS44/30

No.	Item	Material	Drawing	Q'ty
1	O-Ring	NBR-70	A1-8	1
2	Top Cover	Alloy	011A-3	1
3	Compression Ring	Alloy	A1-2	1
4	Water Seal	Plastic	A263	1
5	Sealed Bearing	Steel	ACB41	2
6	Cup	Alloy	011A-4	2
7	Crown Race	Alloy	011A-6	1
8	Water Seal	Rubber	TK011A-8	1

Unit: mm

Scale: 1:1

Version: B
2017.04.25