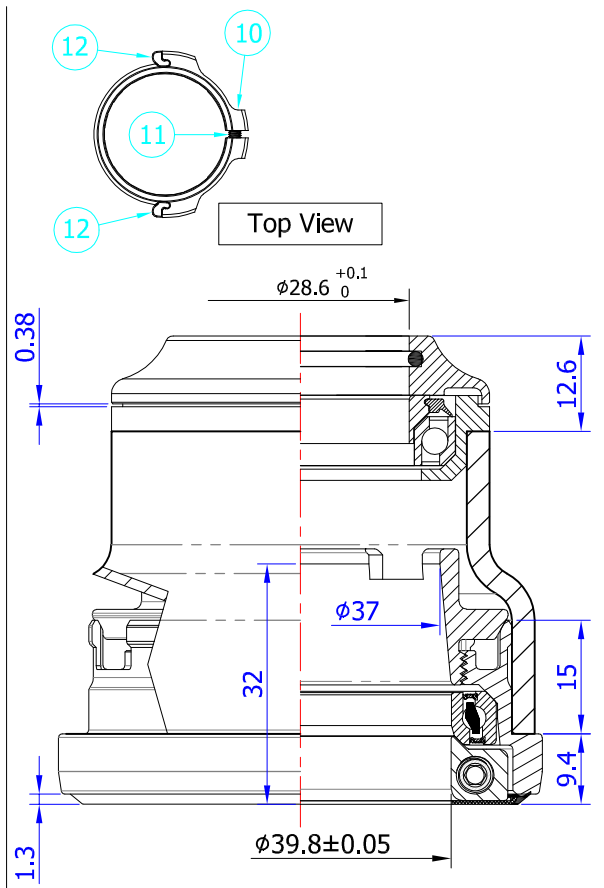
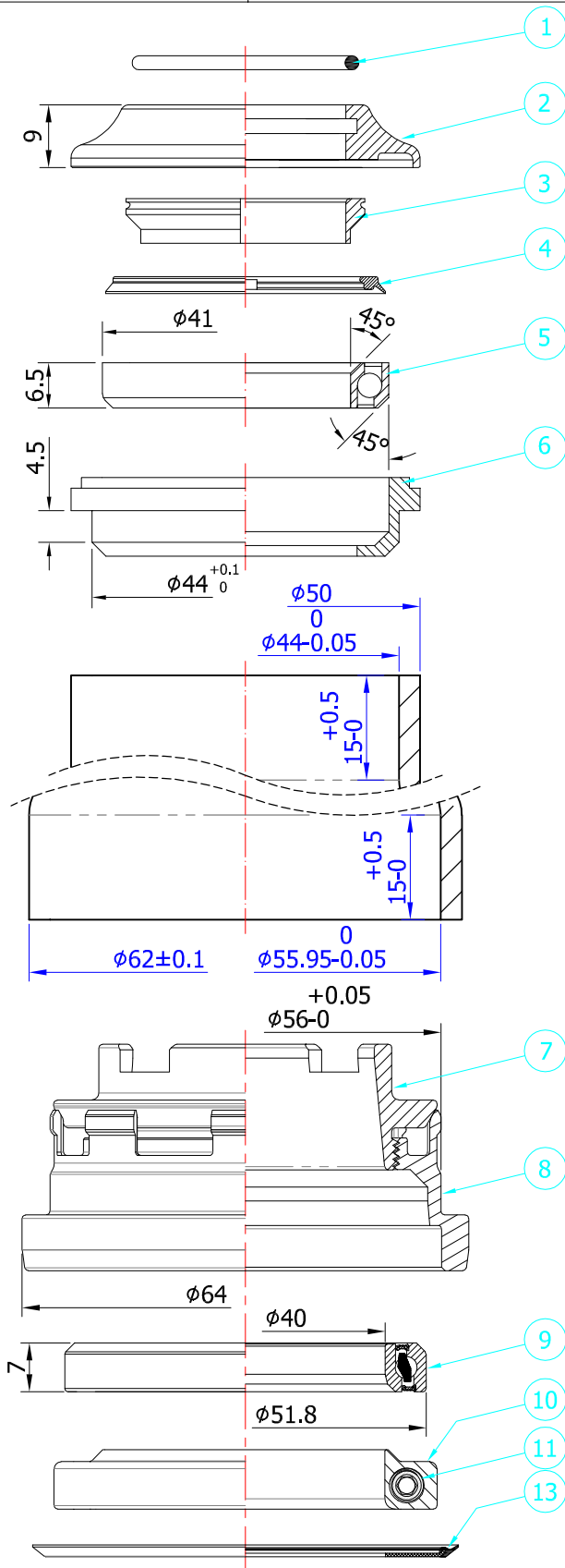


TOKEN HEADSET TECHNICAL MANUAL

TK015B

Semi Integrated Headset with 1.5" Block Set



- Fork Steerer: Taper 1-1/8" to 1.5"
- Stack Height: 12.6+9.4 = 22mm

SHIS code: ZS44/28.6 | ZS56/40

No.	Item	Material	Drawing	Q'ty
1	O-Ring	NBR-70	A1-8	1
2	Top Cover	Alloy	011A-3	1
3	Compression Ring	Alloy	A1-2	1
4	Water Seal	Rubber	TK011A-8	1
5	Premium Bearing	Steel	ACB41	1
6	Upper Cup	Alloy	011A-4	1
7	Expansion Ring	Alu-alloy	TK158-ZS56-9	1
8	Lower Cup	Alu-alloy	TK158-ZS56-4	1
9	Premium Bearing	Steel	ACB52H7/4	1
10	Crown Race	Alu-alloy	TK158-ZS56-6	1
11	Pinch Bolt	Steel	TK158-8	1
12	PU Insert	PU	TK158-10	2
13	Bottom Seal	Steel & NBR	TK158-ZS56-8	1

Unit: mm

Scale: 1:1

Revision A
2021.11.08