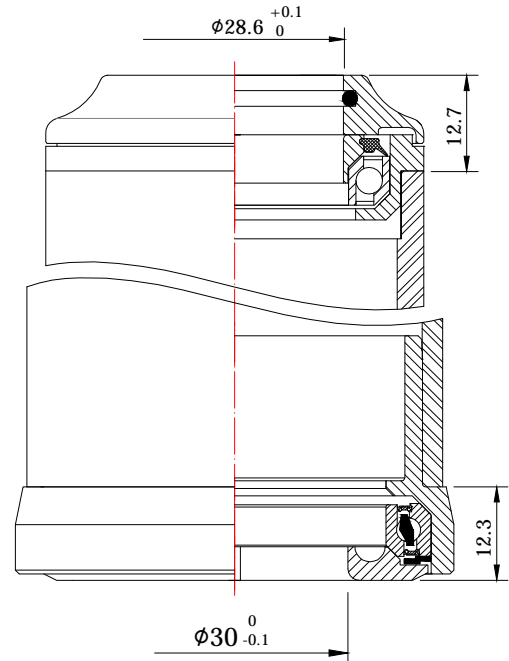
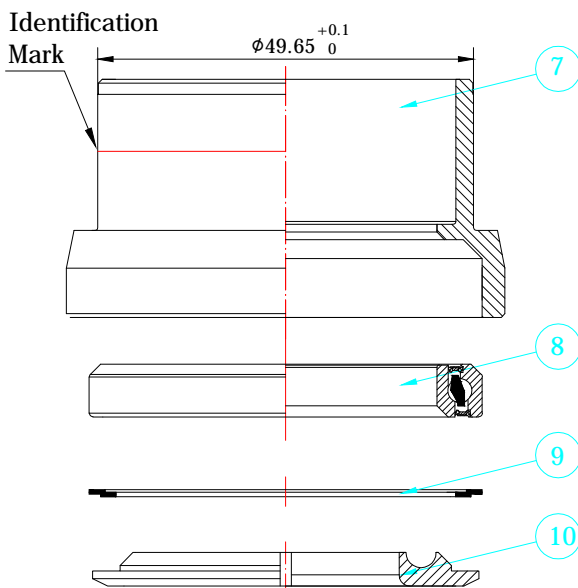
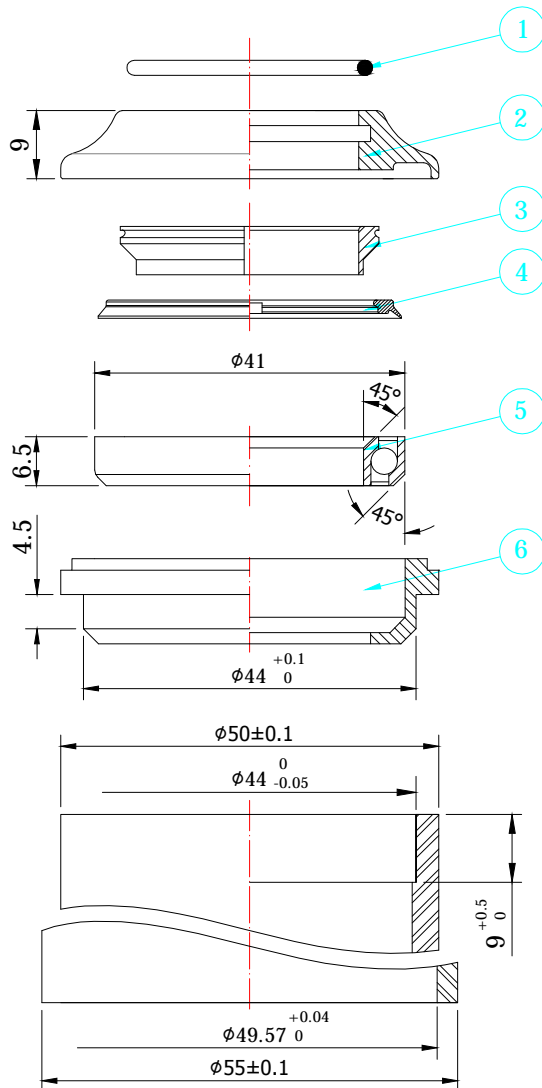


TK036FR

1-1/8" + 1.5" Taper Internal Headset (Semi-Integrated)



Stack Height: 12.7+12.3=25mm

- Headtube OD: 50mm taper 55mm
- Fork Steerer: 1-1/8"
- Bearing: Premium bearings
- Equivalent: Cane Creek 40 ZS44 EC49

SHIS code: ZS44/28.6 | EC49/30

No.	Item	Material	Drawing	Q'ty
1	O-Ring	NBR-70	A1-8	1
2	Top Cover	Alloy	011A-3	1
3	Compression Ring	Alloy	A1-2	1
4	Seal	NBR	TK011A-8	1
5	Premium Bearing	Steel	ACB41	1
6	Upper Cup	Alloy	011A-4	1
7	Lower Cup	Alloy	154R-5	1
8	Premium Bearing	Steel	ACB52	1
9	Dust Shield	Plastic	M52	1
10	Crown Race	Alloy	072R-6	1

Unit: mm

Scale: 1:1

Version: B
2018.10.25