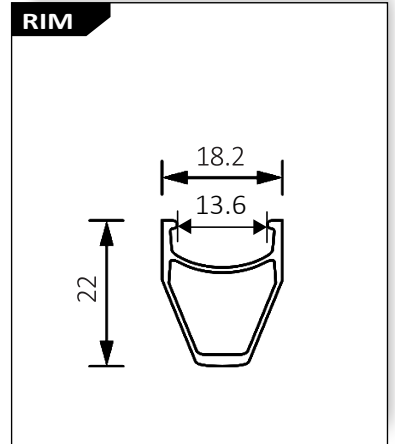




C22A

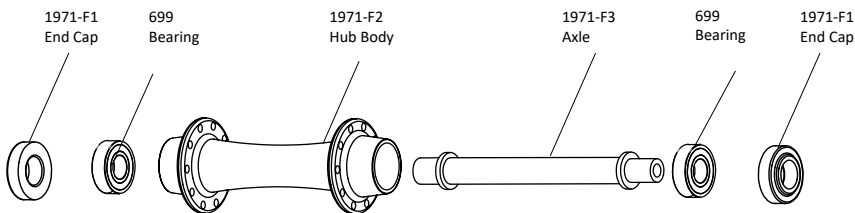
Alloy Clincher

ROAD RACING WHEELSET

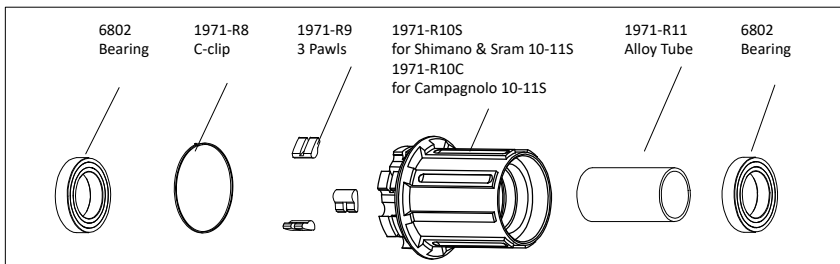
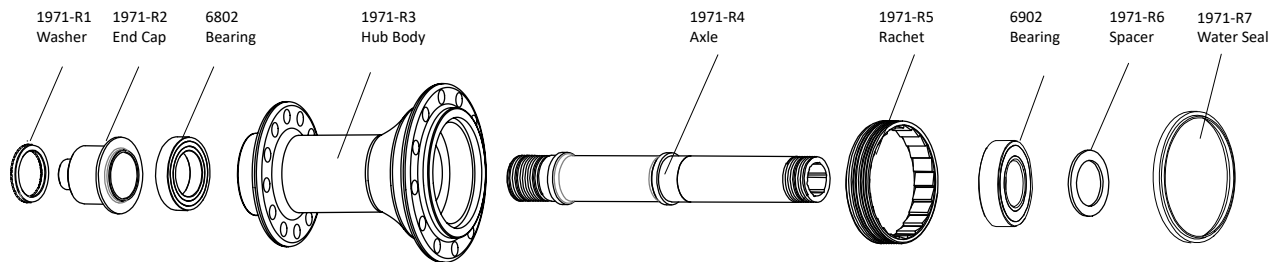


HUBS

Front Hub:



Rear Hub:



#TK2754 - cassette body for Shimano & Sram 10-11S

#TK2742 - cassette body for Campagnolo 10-11S

WHEEL BUILDING

BEARING

Spoke Information		Lacing	Tension (kgf)	Size	Length (mm)	Front	Rear
Front		Radial	100~120	14G	284	TK1971-F 699*2pcs	TK1971-R 6802*3pcs 6902*1pcs
Rear	Drive Side	3 Cross	110~130	14G	292		
	Non-Drive Side	Radial	70~90	14G	280		

RIM	HUB	SPOKE/NIPPLE	CASSETTE BODY COMPATIBILITY	WEIGHT	WHEEL MAXIMUM
22mm Profile 700 C Alloy Rim 390g/pc	Arsenal Q Hubset, 20/24H, Premium Bearings	Pillar PSR1528 Black Spokes Alloy External Nipples Valve Hole: 6.5mm	Shi & SRAM or Campy 10-11S - or - SRAM XDR	Total: 1331g Front: 585g Rear: 746g	Max Tire Pressure: 120psi Recommended Tyre Size: 18-23C Weight Limit: 80kg