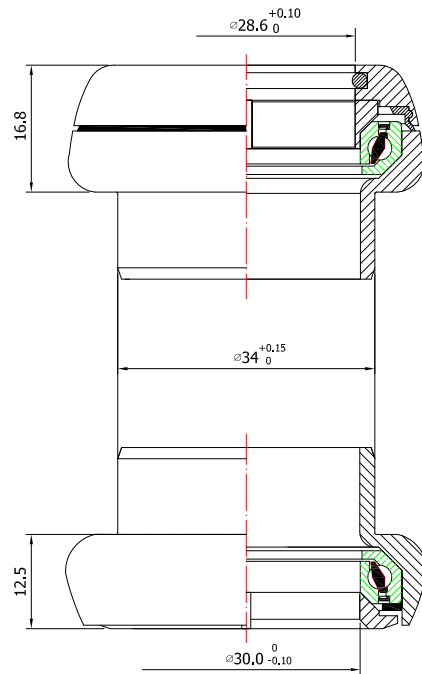
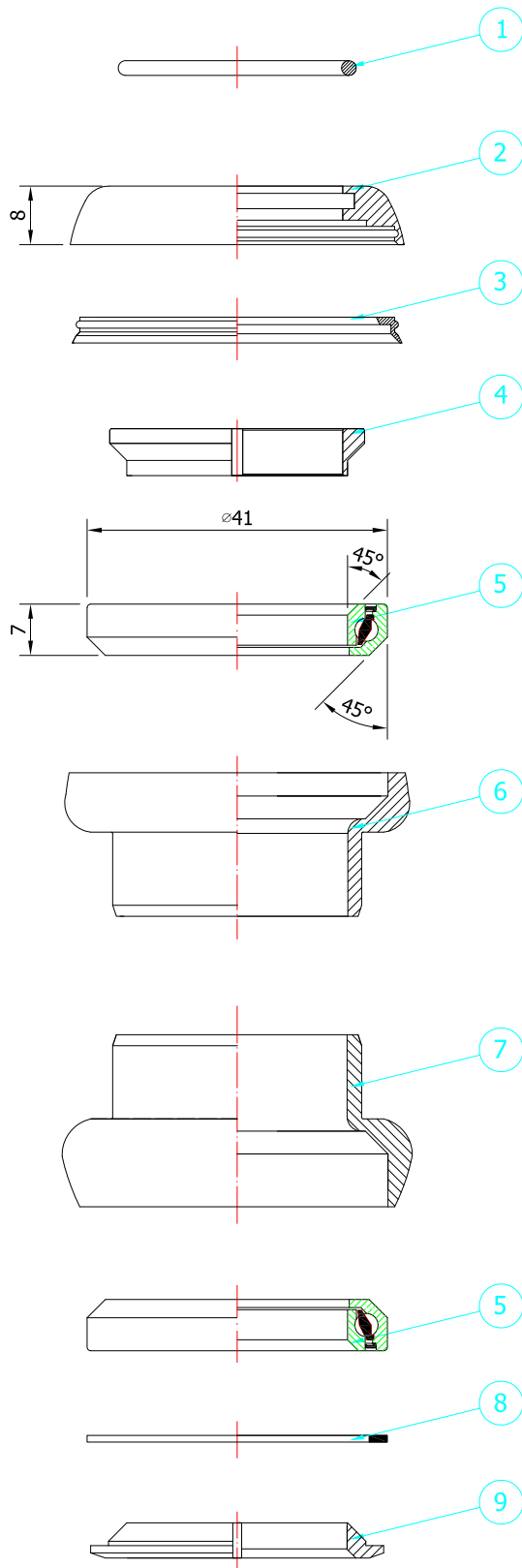


TOKEN HEADSET TECHNICAL MANUAL

TK060

hEGGset : 1-1/8" Threadless Headset



Stack Height: 16.8+12.5=29.3mm

- TOKEN Patented hEGGset
- Function 1: for 1-1/8" Threadless
- Fork Steerer: 1-1/8"
- Top Cover: Alloy 8mm
- Bearing: Sealed Bearing

SHIS code: EC34/28.6 | EC34/30

No.	Item	Material	Drawing	Q'ty
1	O-Ring	NBR-70	A1-8	1
2	Top Cover	Alloy	060-3	1
3	Water Seal	Rubber	A1-9	1
4	Compression Ring	Alloy	A1-2	1
5	Sealed Bearing	Steel	410A	2
6	Upper Cup	Alloy	060-4	1
7	Lower Cup	Alloy	060-5	1
8	Water Seal	Plastic	A263	1
9	Crown Race	Alloy	011A-6	1

Unit: mm

Scale: 1:1

Version: A