

Ninja BB Installation Instructions



IMPORTANT NOTICE:

- Do not alter this product in any way as it can cause unseen damage. Any modifications to this product will void the warranty.
- TOKEN suggests taking your bottom bracket to your local authorized TOKEN dealer for installation, service and adjustments.
- Read the user's guide before installation and use. Follow all instructions carefully. If you have any questions, don't ride the bike. Take it to your local TOKEN dealer for assistance.

BEFORE RIDING:

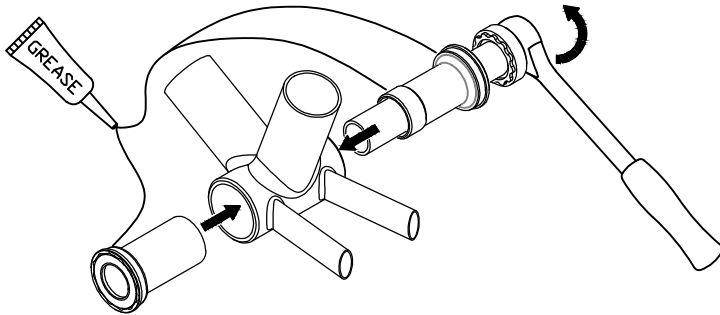
- Check that there is no side-to-side movement in the bottom bracket. Also check that the cranks spin smoothly. If there is movement or the bottom bracket is not smooth, take the bicycle to your local TOKEN dealer for service or replacement.
- Ensure that the cranks are firmly attached to the bottom bracket. Improperly attached cranks can become detached from the bicycle and serious injury can result. Never ride a bicycle with improperly attached cranks.

AFTER RIDING:

- When cleaning the bottom bracket, only use mild soap and water. Never spray the bottom bracket with high-pressure water. Water can enter the bottom bracket and cause it to wear prematurely.

WARRANTY:

All TOKEN products are guaranteed against defects in materials or workmanship for two (2) years from the original date of purchase. This warranty applies to the original owner only and is not transferable. The warranty is considered void if resold. The warranty does not cover normal wear and tear or damage from abuse. Please see our website or contact your local dealer or distributor for more details.



- Step 1**
Apply thin layer of grease to adaptors and threads.
- Step 2**
Thread the ① drive side cup clockwise into the ② non-drive side cup by hand until the BB cups touch the bottom bracket shell.
- Step 3**
Use a torque wrench with the ⑨ BB Installation Tool to tighten to 25-30 N.m (221-266 in-lb).



- Note:**
- The ⑨ Installation Tool is needed when installing the bottom bracket, and is sold separately.
 - If the bottom bracket cups can be slid into the frame by hand without any effort, the frame BB shell may be oversized and "#C3" bottom bracket may be required. Contact your local dealer or TOKEN via our website for more info.

www.tokenproducts.com

		SHIMANO CRANKSET																						
Road-BB90.5 / MTB-BB95.5 FRAME	<p>MODEL: BB3724</p> <table border="1"> <thead> <tr> <th>No.</th> <th>Description</th> <th>Q'ty</th> </tr> </thead> <tbody> <tr> <td>1</td> <td>Right Cup</td> <td>1</td> </tr> <tr> <td>2</td> <td>Left Cup</td> <td>1</td> </tr> <tr> <td>3</td> <td>1.2mm Side Cover</td> <td>2</td> </tr> <tr> <td>4</td> <td>0.5mm Spacer</td> <td>1</td> </tr> </tbody> </table> <p>Note:</p> <ul style="list-style-type: none"> • Installation Tool ⑨ for Shimano configuration is sold separately. <p>90.5mm - Road: No spacer 95.5mm - MTB: 0.5mm Spacer x1</p>	No.	Description	Q'ty	1	Right Cup	1	2	Left Cup	1	3	1.2mm Side Cover	2	4	0.5mm Spacer	1								
	No.	Description	Q'ty																					
1	Right Cup	1																						
2	Left Cup	1																						
3	1.2mm Side Cover	2																						
4	0.5mm Spacer	1																						
	SRAM GXP CRANKSET																							
Road-BB90.5 / MTB-BB95.5 FRAME	<p>MODEL: BB3724 + R248 GXP Adaptor Set (= ⑤ + ⑥ + ⑦ + ⑧)</p> <table border="1"> <thead> <tr> <th>No.</th> <th>Description</th> <th>Q'ty</th> </tr> </thead> <tbody> <tr> <td>1</td> <td>Right Cup</td> <td>1</td> </tr> <tr> <td>2</td> <td>Left Cup</td> <td>1</td> </tr> <tr> <td>5</td> <td>2.2mm Side Cover</td> <td>2</td> </tr> <tr> <td>6</td> <td>GXP Adaptor</td> <td>1</td> </tr> <tr> <td>7</td> <td>Wave Washer</td> <td>1</td> </tr> <tr> <td>8</td> <td>2.5mm Spacer</td> <td>1</td> </tr> </tbody> </table> <p>Note:</p> <ul style="list-style-type: none"> • Installation Tool ⑨ for GXP configuration is sold separately. <p>90.5mm - Road: No spacer 95.5mm - MTB: 2.5mm Spacer x1</p>	No.	Description	Q'ty	1	Right Cup	1	2	Left Cup	1	5	2.2mm Side Cover	2	6	GXP Adaptor	1	7	Wave Washer	1	8	2.5mm Spacer	1		
	No.	Description	Q'ty																					
1	Right Cup	1																						
2	Left Cup	1																						
5	2.2mm Side Cover	2																						
6	GXP Adaptor	1																						
7	Wave Washer	1																						
8	2.5mm Spacer	1																						