

Ninja BB Installation Instructions



IMPORTANT NOTICE:

- Do not alter this product in any way as it can cause unseen damage. Any modifications to this product will void the warranty.
- TOKEN suggests taking your bottom bracket to your local authorized TOKEN dealer for installation, service and adjustments.
- Read the user's guide before installation and use. Follow all instructions carefully. If you have any questions, don't ride the bike. Take it to your local TOKEN dealer for assistance.

BEFORE RIDING:

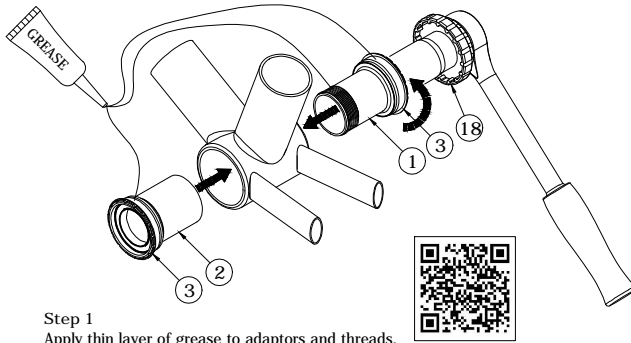
- Check that there is no side-to-side movement in the bottom bracket. Also check that the cranks spin smoothly. If there is movement or the bottom bracket is not smooth, take the bicycle to your local TOKEN dealer for service or replacement.
- Ensure that the cranks are firmly attached to the bottom bracket. Improperly attached cranks can become detached from the bicycle and serious injury can result. Never ride a bicycle with improperly attached cranks.

AFTER RIDING:

- When cleaning the bottom bracket, only use mild soap and water. Never spray the bottom bracket with high-pressure water. Water can enter the bottom bracket and cause it to wear prematurely.

WARRANTY:

All TOKEN products are guaranteed against defects in materials or workmanship for two (2) years from the original date of purchase. This warranty applies to the original owner only and is not transferable. The warranty is considered void if resold. The warranty does not cover normal wear and tear or damage from abuse. Please see our website or contact your local dealer or distributor for more details.

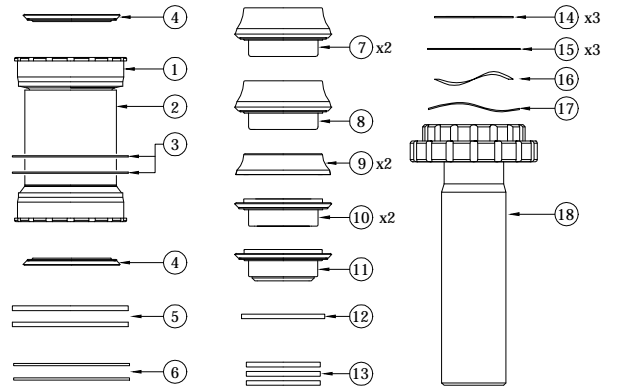


- Step 1**
Apply thin layer of grease to adaptors and threads.
- Step 2**
Thread the ① drive side cup clockwise into the ② non-drive side cup by hand until the BB cups touch the bottom bracket shell. If there is a cable guide bolt protruding in the BB shell, make sure it will not interfere with the Ninja BB.
- Step 3**
Use a torque wrench with the ⑱ BB Installation Tool to tighten to 25-30 N.m (221-266 in-lb)
- Step 4**
Install any necessary adaptor, according to this manual.



Note: If the bottom bracket cup can be pressed into the frame by hand without effort, the frame BB shell may be oversized and "#C3" cups or adaptors (sold separately) may be required. Contact your local dealer, or TOKEN via our website for more information.

MODEL: TF37/TF37-TBT



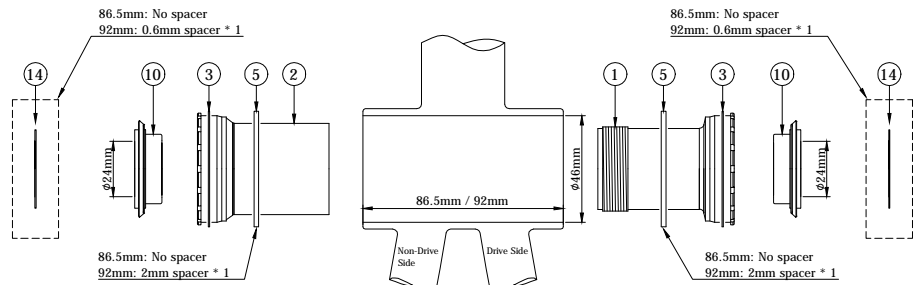
⑭ and ⑮ micro adjustment spacers and are ONLY needed when chainline or bearing preload need to be changed.

www.tokenproducts.com

SHIMANO CRANKSET

MODEL: TF38624 TF38624-TBT

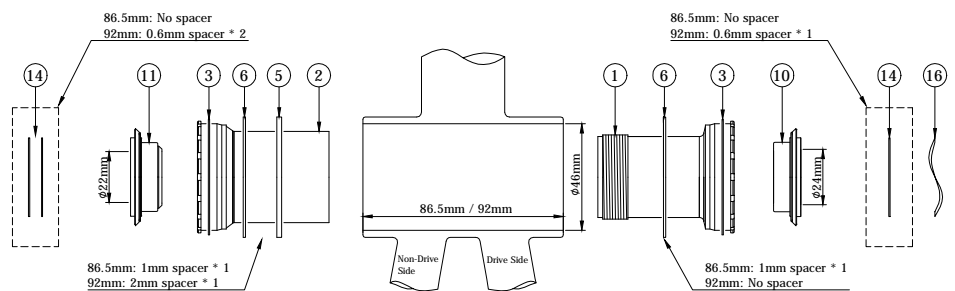
No.	Description	Q'ty
1	Right Cup	1
2	Left Cup	1
3	0.2mm Washer	2
5	2mm Spacer	2
10	φ24mm Side Cover	2
14	0.6mm Spacer	2



SRAM GXP CRANKSET

MODEL: TF386GXP TF386GXP-TBT

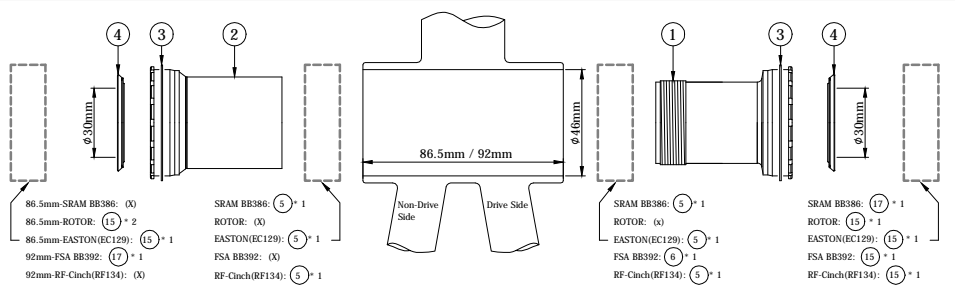
No.	Description	Q'ty
1	Right Cup	1
2	Left Cup	1
3	0.2mm Washer	2
5	2mm Spacer	1
6	1mm Spacer	2
10	φ24mm Side Cover	1
11	φ22mm Side Cover	1
14	0.6mm Spacer	3
16	φ24mm Wave Washer	1



BB386 / BB392 CRANKSET

MODEL: TF4630 TF4630-TBT

No.	Description	Q'ty
1	Right Cup	1
2	Left Cup	1
3	0.2mm Washer	2
4	φ30mm Side Cover	2
5	2mm Spacer	2
6	1mm Spacer	1
15	0.6mm Spacer	3
17	φ30mm Wave Washer	1

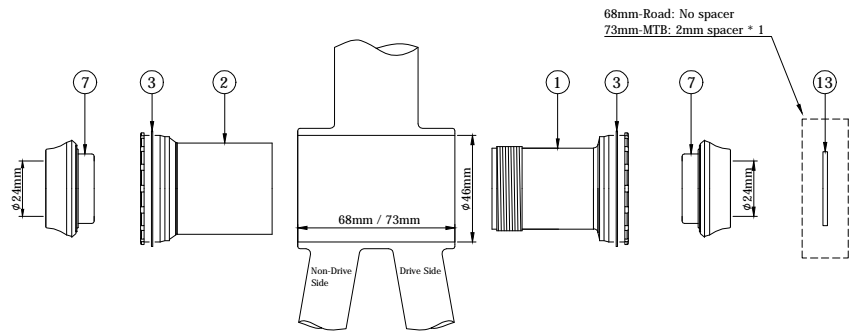


BB386 FRAME (φ46 x 86.5mm) / BB392 FRAME (φ46 x 92 mm)

SHIMANO CRANKSET

MODEL: TF4624
TF4624-TBT

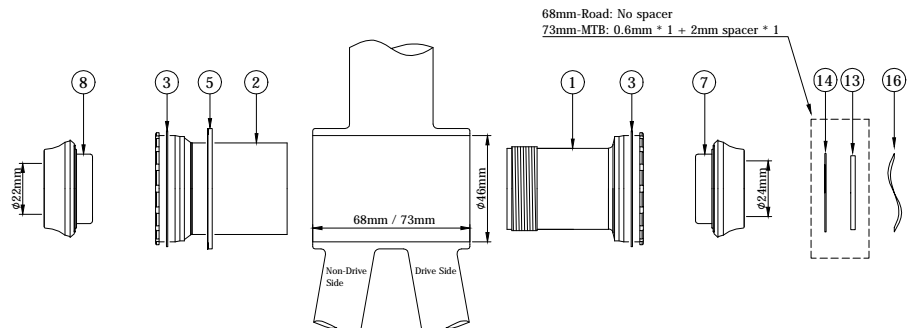
No.	Description	Q'ty
1	Right Cup	1
2	Left Cup	1
3	0.2mm Washer	2
7	Ø24mm Side Cover	2
13	2mm Spacer	1



SRAM GXP CRANKSET

MODEL: TF46GXP
TF46GXP-TBT

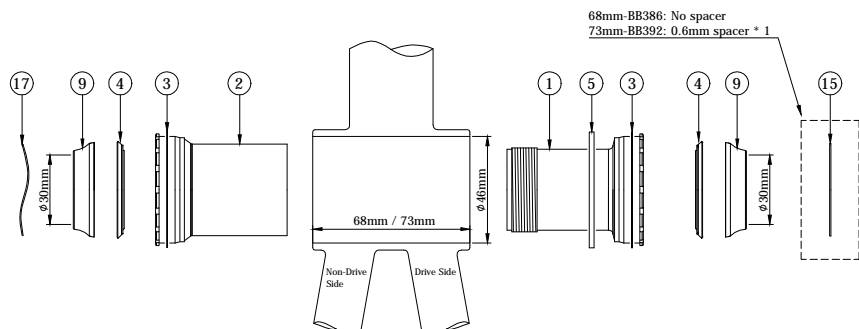
No.	Description	Q'ty
1	Right Cup	1
2	Left Cup	1
3	0.2mm Washer	2
5	2mm Spacer	1
7	Ø24mm Side Cover	1
8	Ø22mm Side Cover	1
13	2mm Spacer	1
14	0.6mm Spacer	1
16	Ø24mm Wave Washer	1



FSA BB386 / BB392 CRANKSET

MODEL: TF46386
TF46386-TBT

No.	Description	Q'ty
1	Right Cup	1
2	Left Cup	1
3	0.2mm Washer	2
4	Ø30mm Side Cover	2
5	2mm Spacer	1
9	Ø30mm Conical Spacer	2
15	0.6mm Spacer	1
17	Ø30mm Wave Washer	1

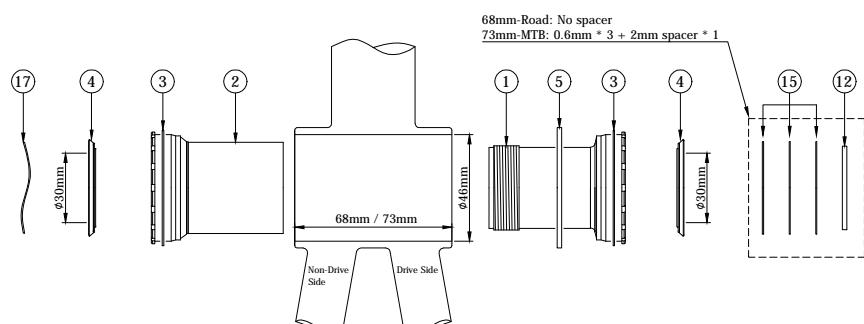


*1: (5) is ONLY needed for BB392 with 73mm BB shell.

BB30 CRANKSET

MODEL: TF4630
TF4630-TBT

No.	Description	Q'ty
1	Right Cup	1
2	Left Cup	1
3	0.2mm Washer	2
4	Ø30mm Side Cover	2
5	2mm Spacer	1
12	2mm Spacer	1
15	0.6mm Spacer	3
17	Ø30mm Wave Washer	1



*1: (5) is ONLY needed for MTB with 73mm BB shell.

PF30 FRAME (Ø46 x 68mm / 73mm)