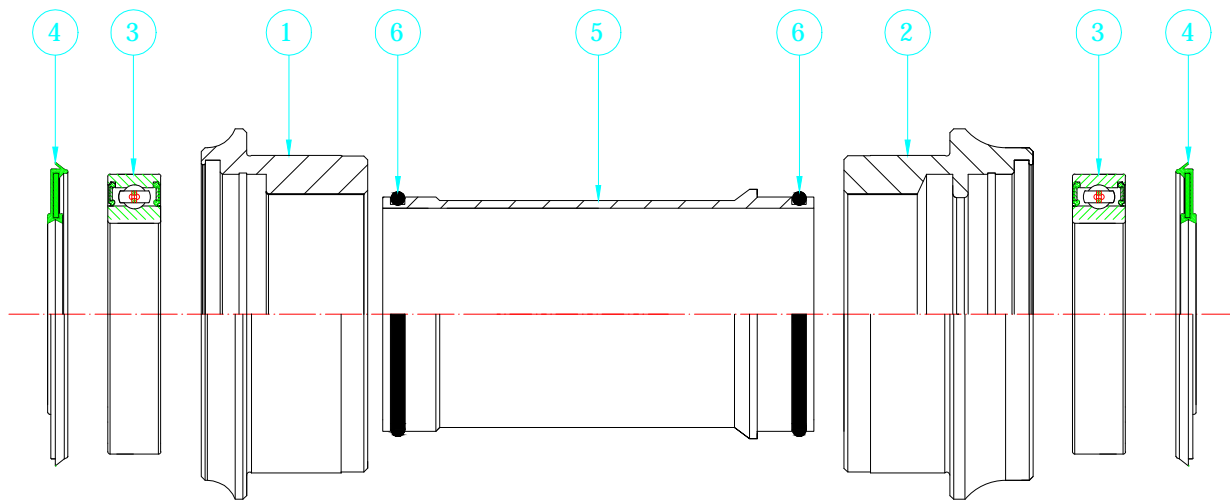
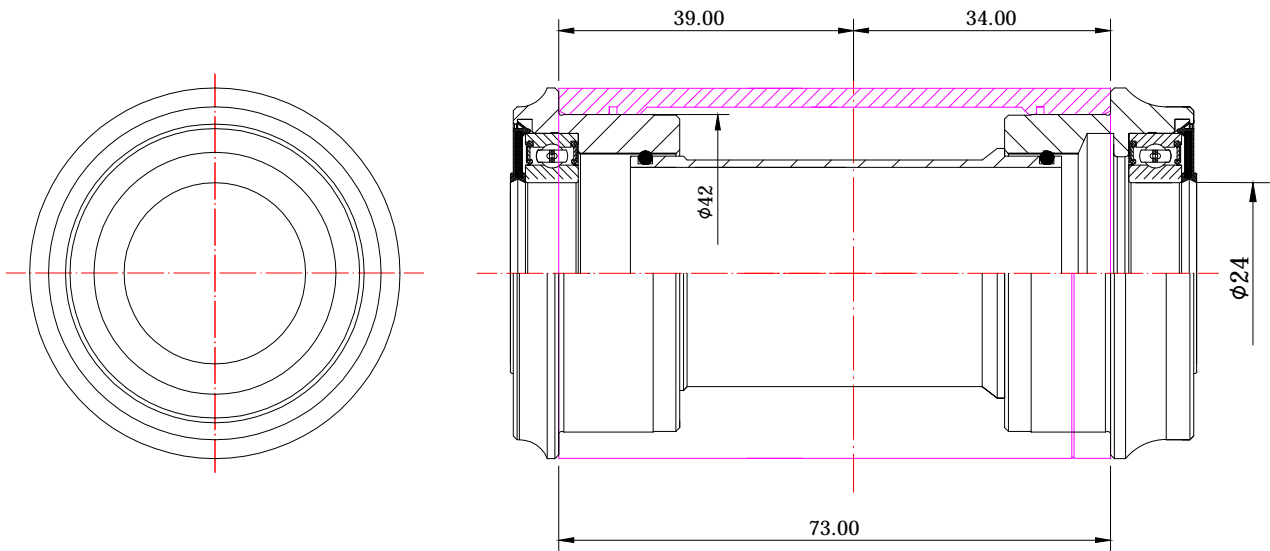


# TOKEN B.B TECHNICAL MANUAL

BB30A2R

Bottom Bracket for BB30A frame with Shimano 24mm crankset



- For BB30A Road Frame ( $\phi 42 \times 73$ mm) & Shimano  $\phi 24$ mm Crankset
- TBT Bearing upgrade option: **BB30A2R-TBT**
- Alloy CNC cups with precisely machining
- Hand Assembled

No.	Item	Material	Drawing	Q'ty
1	Alloy Cup	Alloy	BB30AR-1	1
2	Alloy Cup	Alloy	BB30AR-1	1
3	Sealed Bearing	Steel	24377	2
4	Water Seal	Rubber	878-3-1	2
5	Sleeve	Plastic	877-2	1
6	O-ring	Rubber	877-2-1	2
Unit: mm		Scale: 1:1		Version: B
				2017.02.06