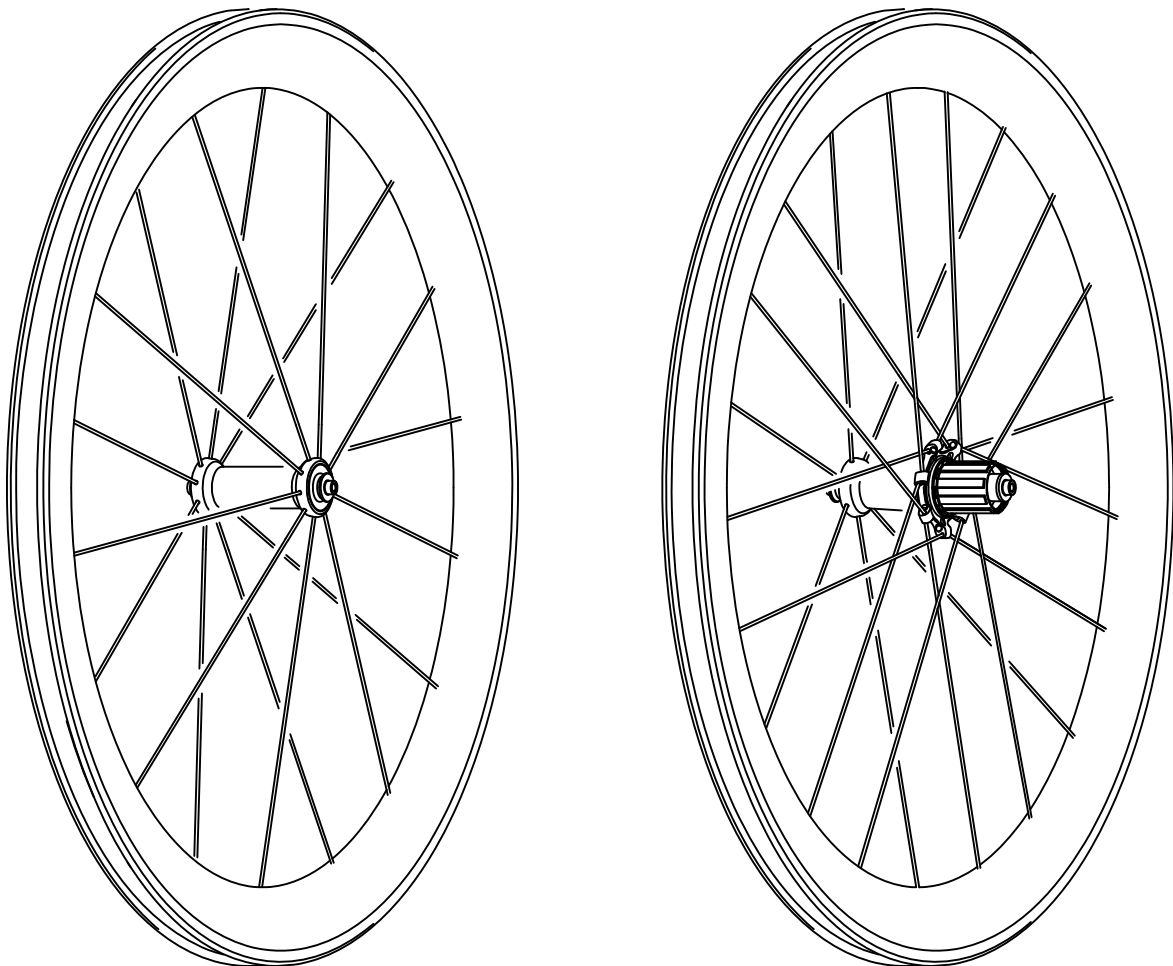




**VENTOUS
KONAX PRO
KONAX TRI**

ZENITH Carbon Clincher

ROAD RACING WHEELSET

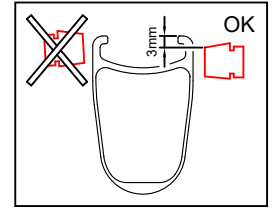


SPECIFICATION

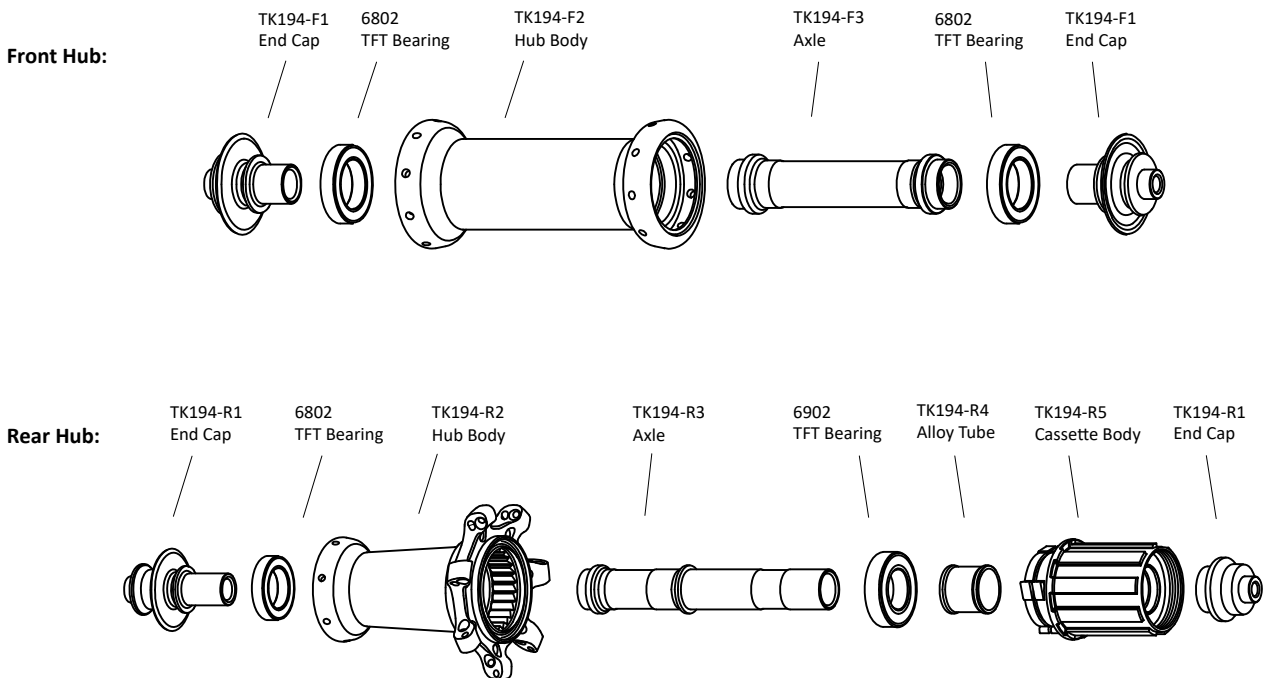
| | RIM | | | | HUB | SPOKE / NIPPLE | CASSETTE BODY | WHEEL MAXIMUM |
|-----------------------------------|----------------------|----------------|-------------------|--------------------|--|---|--|---|
| | Profile Depth | Internal Width | Brake Track Width | Recom'ed Tyre Size | Z1 Hubset F-18H R-21H DSP 2:1 TFT Bearing | SAPIM CX-RAY Black Spoke Alloy External Black Nipple | Shi & SRAM 10-11S - or - SRAM XDR | Inflation Pressure 115psi (700x25c) Rider Weight 100kg |
| VENTOUS KONAX PRO KONAX TRI | 36mm 52mm 76mm | 20mm | 27.4mm | 700x25c 700x28c | | | | |

WARNING

1. Use only TOKEN brand carbon-rim specified brake pads on rims with carbon fiber brake track. Use other brake pads could degrade braking performance and may lead to unwanted character such as noise and heat accumulation, and will void the warranty.
2. On carbon rims, brake pad should always be placed 3mm below the outer edge of the rim.
3. Over tensioning spokes and exceeding maximum inflation pressure could cause unseen damage. Note that overly inflated tyres don't necessarily have lower rolling resistance, and may have inferior traction!
4. Discontinue use of rim immediately if the brake track is worn, deformed (carbon) or the wear indication dots disappear (alloy).
5. Mounting clincher tyres on tubeless-ready rims could take more effort than on regular rims. Take great care not to damage any part of the rim with tyre lever! Applying mild soap water or tyre sealant on rim and tyre bead could make tyre installation easier.
6. Make sure your tyre-and-wheel combination meets ISO 4210-6 Safety Requirement regulation - there should always be a clearance no less than 4mm between the tyre and the frame, as well as other components such as brake caliper.
7. Failure to follow the conditions listed above may result in 2-year warranty being voided. Contact your local dealer or see the TOKEN website for details. -www.tokenproducts.com-



HUBS



WHEEL BUILDING

RIM

BEARING

| Spoke Information | Tension (kgf) | Size | Length (mm) | | | ERD (mm) | Front | Rear |
|-------------------|----------------|---------|-------------|-----------|-----------|---|-------------|----------------------------|
| | | | VENTOUS | KONAX PRO | KONAX TRI | | | |
| Front | 100~120 | 14G | 272 | 256 | 232 | VENTOUS 567 KONAX PRO 535 KONAX TRI 487 | 6802TFT * 2 | 6802TFT * 1 6902TFT * 3 |
| Rear | Drive Side | 120~140 | 280 | 264 | 240 | | | |
| | Non-Drive Side | 80~100 | 274 | 258 | 234 | | | |