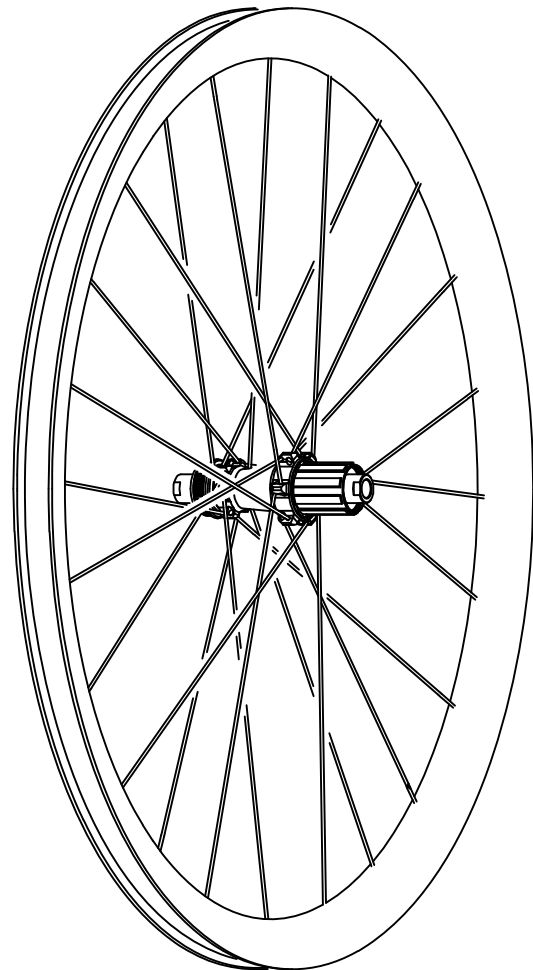
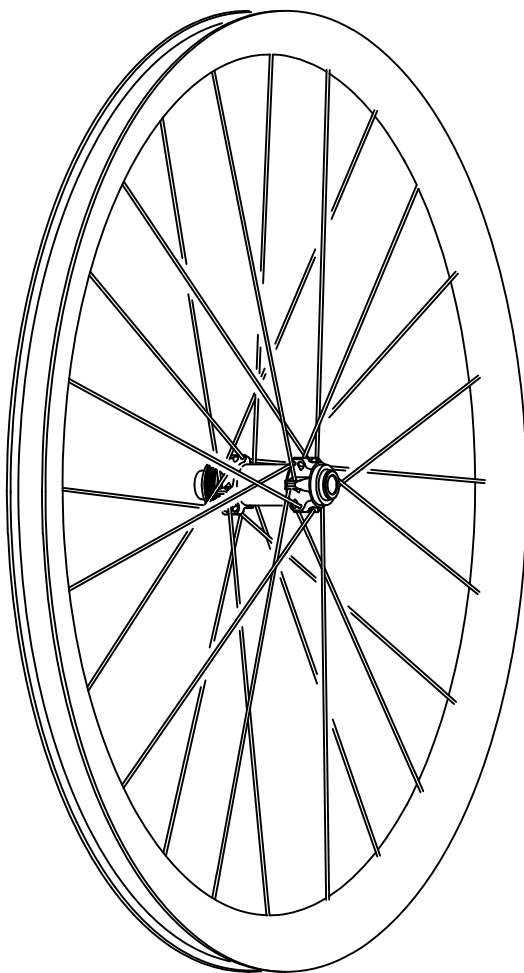




**VENTOUS disc**  
**KONAX PRO disc**  
**KONAX TRI disc**

# PRIME Carbon Clincher

DISC BRAKE ROAD RACING WHEELSET



## SPECIFICATION

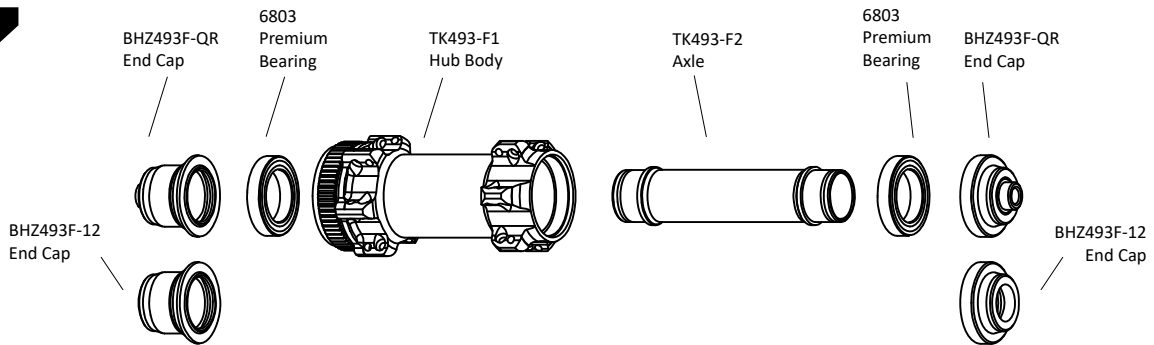
WHEEL	RIM				HUB	SPOKE / NIPPLE	CASSETTE BODY	WHEEL MAXIMUM
Model	Profile Depth	Internal Width	External Max Width	Recom'ed Tyre Size	D1 Hubset F-24H R-24H PREMIUM Bearing	Pillar WING Black Spoke  Alloy Internal Nipple	Shi 10-12S / SRAM or Campy 10-11S / SRAM XDR	Inflation Pressure <b>72psi</b> (all sizes, with or without tube)  Rider Weight 100kg
VENTOUS disc KONAX PRO disc KONAX TRI disc	36mm 52mm 76mm	22.6mm	27.2mm	700x25c to 700x32c				

**WARNING**

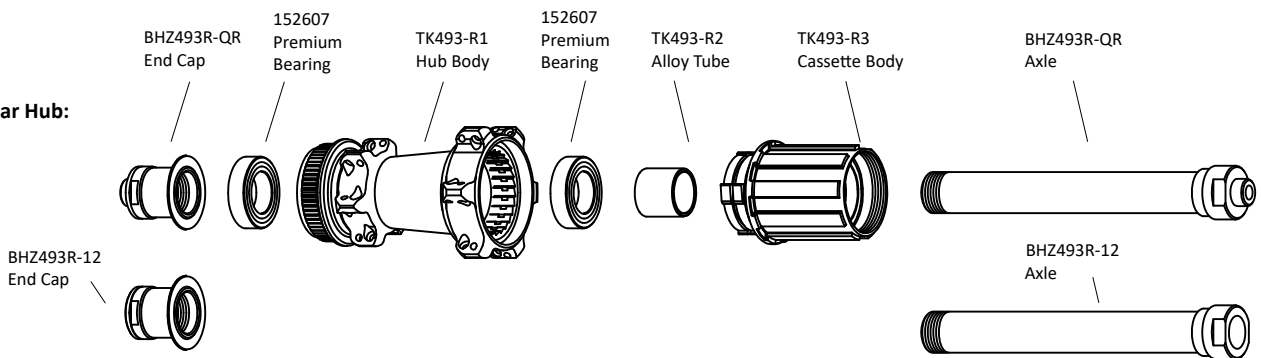
1. Over tensioning spokes and exceeding maximum inflation pressure could cause unseen damage. Note that overly inflated tyres don't necessarily have lower rolling resistance, and may have inferior traction!
2. Mounting clincher tyres on tubeless-ready rims could take more effort than on regular rims. Take great care not to damage any part of the rim with tyre lever! Applying mild soap water or tyre sealant on rim and tyre bead could make tyre installation easier.
3. Make sure your tyre-and-wheel combination meets ISO 4210-6 Safety Requirement regulation - there should always be a clearance no less than 4mm between the tyre and the frame, as well as other components such as brake caliper.
4. Failure to follow the conditions listed above may result in 3-year warranty being voided. Contact your local dealer or see the TOKEN website for details. -www.tokenproducts.com-

**HUBS**

**Front Hub:**



**Rear Hub:**



**WHEEL BUILDING**

**RIM**

**BEARING**

Spoke Information	Tension (kgf)	Size	Length (mm)			ERD (mm)	Front	Rear	
			VENTOUS disc	KONAX PRO disc	KONAX TRI disc				
Front	Drive Side (RH)	80~100	14G	290	274	250	VENTOUS disc 567 KONAX PRO disc 535 KONAX TRI disc 487	6803 * 2	152607 * 4
	Non-Drive Side (LH)	100~120	14G	288	272	248			
Rear	Drive Side (RH)	110~130	14G	288	272	248			
	Non-Drive Side (LH)	70~90	14G	290	274	250			

**RECOMMENDED TUBELESS ROAD TYRES \*1**

(\*1 : With approved fitting,safety and performance.)

Brand / Model	Tire Sizes	
	700x25C	700x28C
CADEX RACE Tubeless	✓	✓
Continental GP5000 S TR	✓	✓
MAXXIS HIGH ROAD TR	✓	✓
MICHELIN POWER CUP TL READY	✓	
PANARACER AGILEST TLR		✓
SCHWALBE PRO ONE TLE	✓	✓