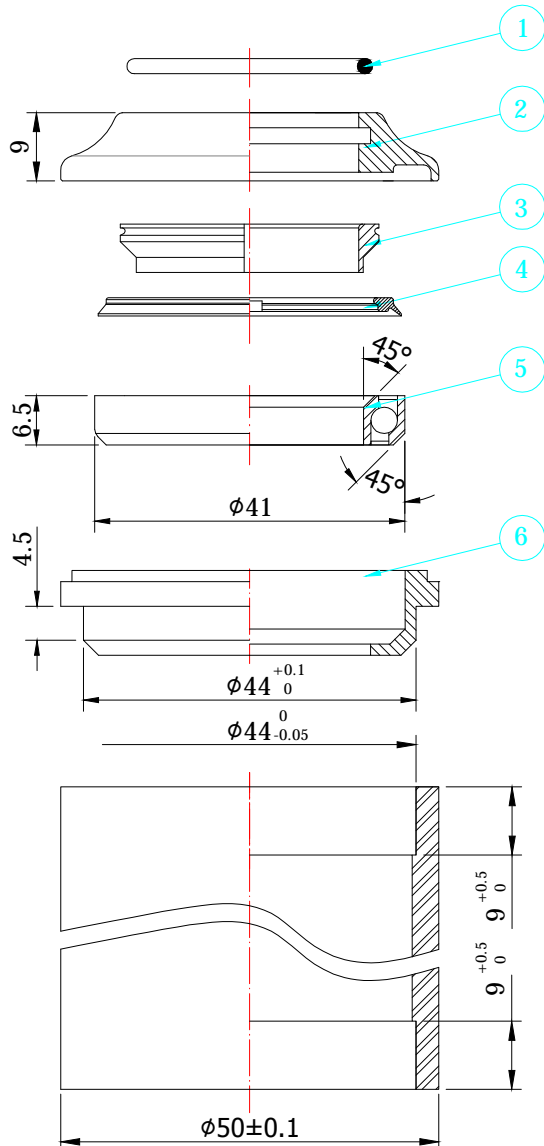
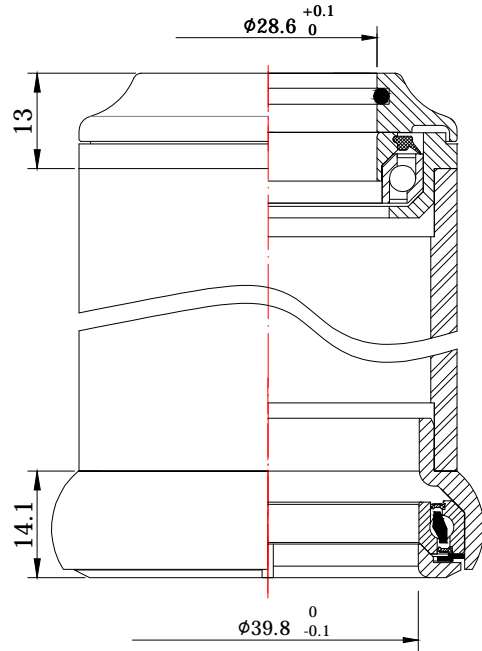
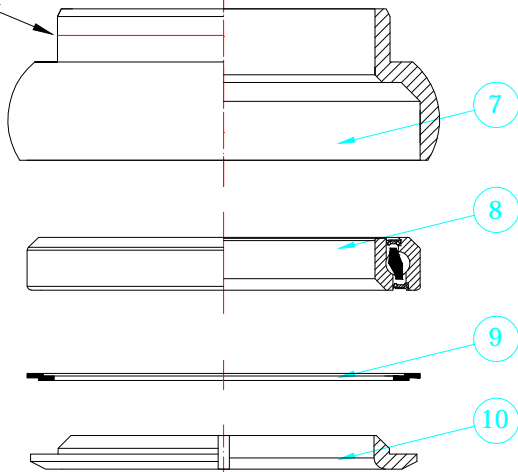


TK036A

1-1/8"+1.5" Taper Internal Headset (Semi-Integrated)



Identification Mark



Stack Height: 13+14.1=27.1mm

- Headtube OD: 50mm
- Fork Steerer: Taper 1-1/8" to 1.5"
- Top Cover: Alloy 9mm
- Bearing: Sealed Bearing

SHIS code: ZS44/28.6 | EC44/40

| No. | Item | Material | Drawing | Q'ty |
|-----|------------------|----------|----------|------|
| 1 | O-Ring | NBR-70 | A1-8 | 1 |
| 2 | Top Cover | Alloy | 011A-3 | 1 |
| 3 | Compression Ring | Alloy | A1-2 | 1 |
| 4 | Seal | NBR | TK011A-8 | 1 |
| 5 | Sealed Bearing | Steel | ACB41 | 1 |
| 6 | Upper Cup | Alloy | 011A-4 | 1 |
| 7 | Lower Cup | Alloy | 036A-5 | 1 |
| 8 | Sealed Bearing | Steel | ACB52 | 1 |
| 9 | Dust Shield | Plastic | M52 | 1 |
| 10 | Crown Race | Alloy | 072-6 | 1 |

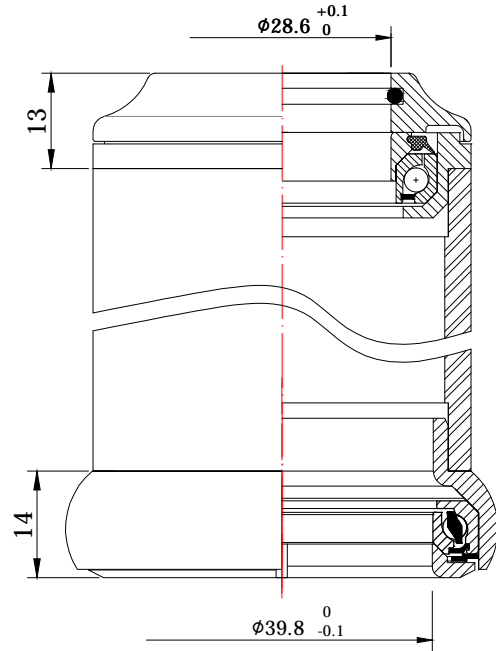
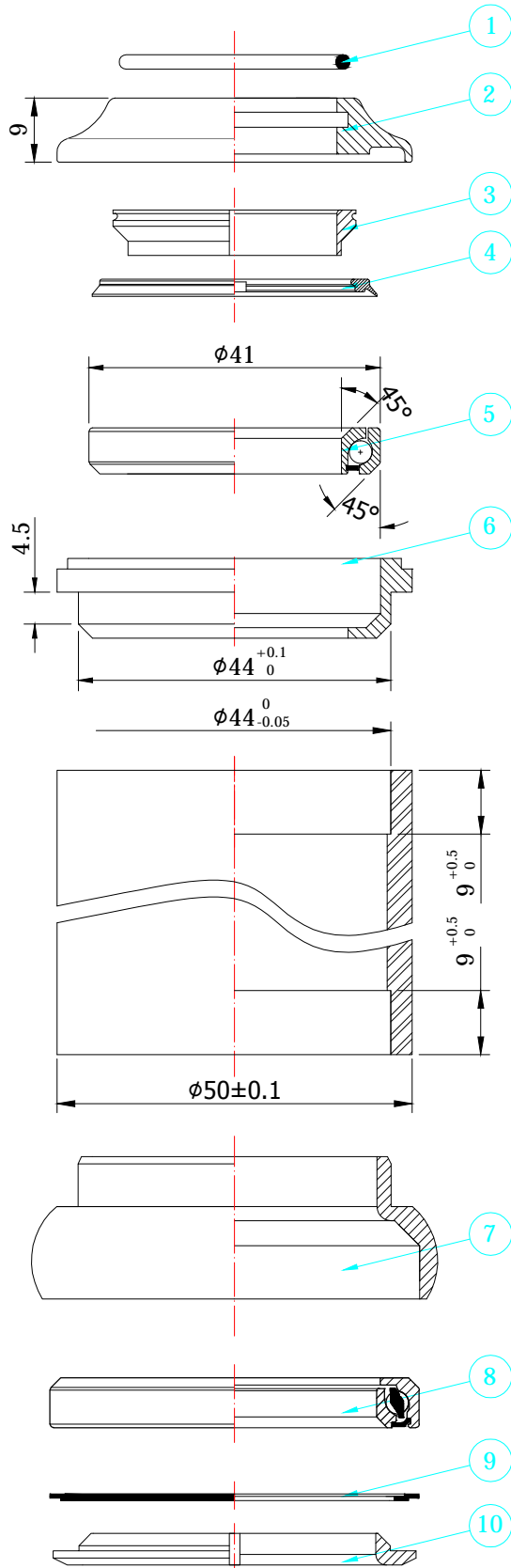
Unit: mm

Scale: 1:1

Version: C
2018.10.24

TK036AM

1-1/8"+1.5" Taper Internal Headset (Semi-Integrated)



Stack Height: 13+14=27mm

- Headtube OD: 50mm
- Fork Steerer: Taper 1-1/8" to 1.5"
- Top Cover: Alloy 9mm
- Bearing: Sealed Bearing

SHIS code: ZS44/28.6 | EC44/40

| No. | Item | Material | Drawing | Q'ty |
|-----|------------------|----------|----------|------|
| 1 | O-Ring | NBR-70 | A1-8 | 1 |
| 2 | Top Cover | Alloy | 011A-3 | 1 |
| 3 | Compression Ring | Alloy | A1-2 | 1 |
| 4 | Seal | NBR | TK011A-8 | 1 |
| 5 | Sealed Bearing | Steel | ACB41M | 1 |
| 6 | Upper Cup | Alloy | 011A-4 | 1 |
| 7 | Lower Cup | Alloy | 036A-5 | 1 |
| 8 | Sealed Bearing | Steel | ACB52H7M | 1 |
| 9 | Dust Shield | Plastic | M52 | 1 |
| 10 | Crown Race | Alloy | A8-6 | 1 |

Unit: mm

Scale: 1:1

Version: B
2018.10.25