

SRAM GXP Adaptor Set Installation Instructions **TOKEN**

IMPORTANT NOTICE:

- Do not alter this product in any way as it can cause unseen damage. Any modifications to this product will void the warranty.
- TOKEN suggests taking your bottom bracket to your local authorized TOKEN dealer for installation, service and adjustments.
- Read the user's guide before installation and use. Follow all instructions carefully. If you have any questions, don't ride the bike. Take it to your local TOKEN dealer for assistance.

BEFORE RIDING:

- Check that there is no side-to-side movement in the bottom bracket. Also check that the cranks spin smoothly. If there is movement or the bottom bracket is not smooth, take the bicycle to your local TOKEN dealer for service or replacement.
- Ensure that the cranks are firmly attached to the bottom bracket. Improperly attached cranks can become detached from the bicycle and serious injury can result. Never ride a bicycle with improperly attached cranks.

AFTER RIDING:

- When cleaning the bottom bracket, only use mild soap and water. Never spray the bottom bracket with high-pressure water. Water can enter the bottom bracket and cause it to wear prematurely.

WARRANTY:

All TOKEN products are guaranteed against defects in materials or workmanship for two (2) years from the original date of purchase. This warranty applies to the original owner only and is not transferable. The warranty is considered void if resold. The warranty does not cover normal wear and tear or damage from abuse. Please see our website or contact your local dealer or distributor for more details.

www.tokenproducts.com

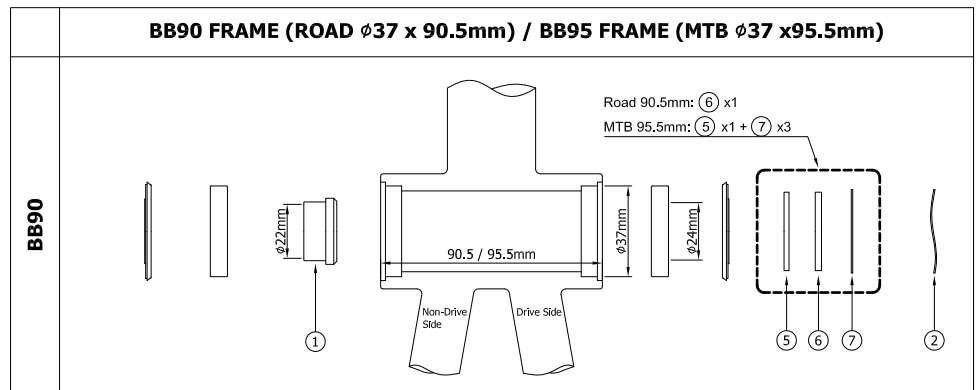
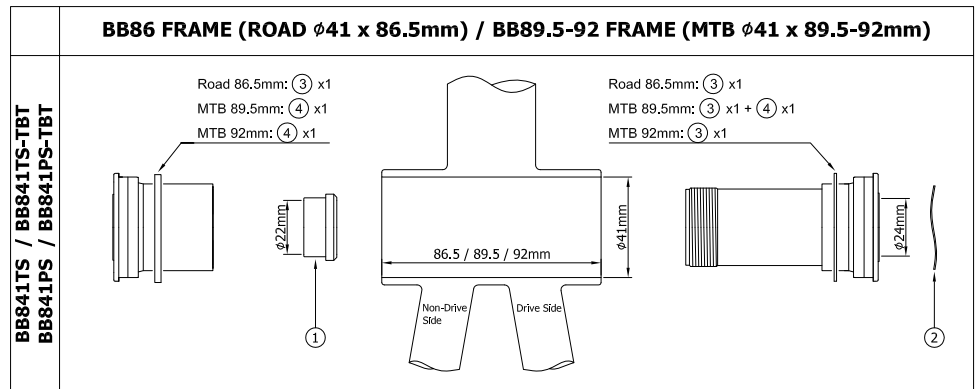
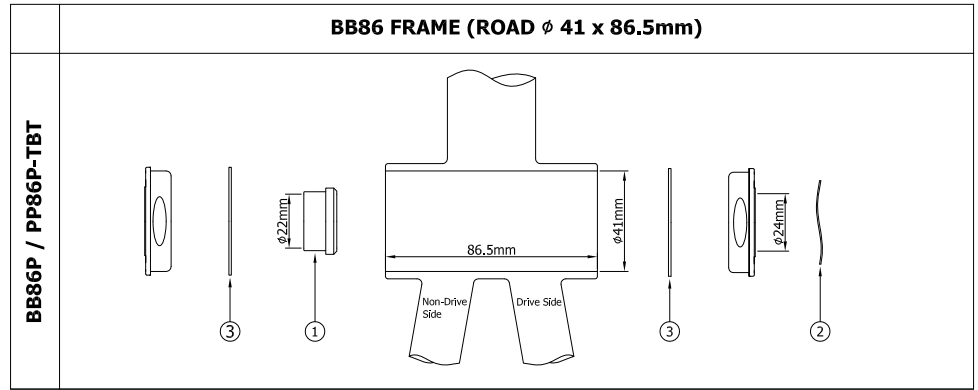
MODEL: R241

No.	Description	Q'ty
1	GXP Adaptor	1
2	Wave Washer	1
3	1mm Spacer	2
4	Inboard 2.5mm Spacer	2
5	Outboard 2.5mm Spacer	1
6	2 mm Spacer	1
7	0.6mm Spacer	3

For use with:

BB841TS-41/BB841TS-41TBT
BB841PS/BB841PS-TBT
BB86P/BB86P-TBT/BB90

Note: BB86P / BB86P-TBT is NOT compatible with SRAM GXP MTB cranksets. Attempt to use this product with GXP MTB cranksets by modification or adding spacers will lead to poor fitment, potential harm and void of warranty.

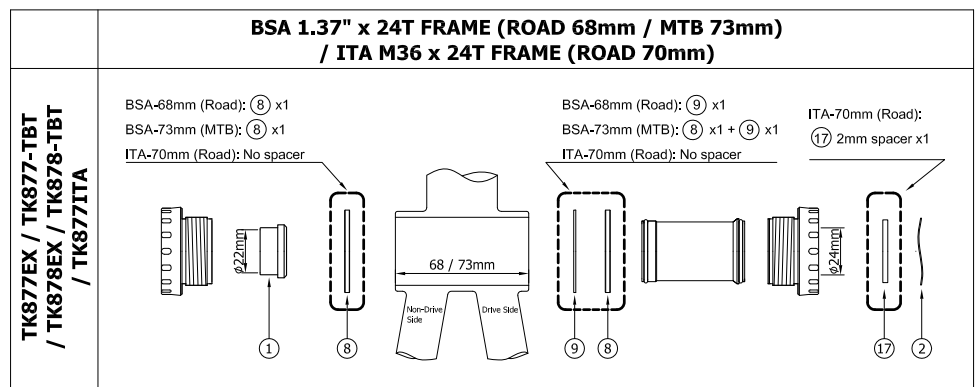


MODEL: R234

No.	Description	Q'ty
1	GXP Adaptor	1
2	Wave Washer	1
8	2.5mm Spacer	2
9	1mm Spacer	1
17	Outboard 2mm Spacer	1

For use with:

TK877EX / TK877-TBT
/ TK878EX / TK878-TBT
/ TK877ITA



MODEL: R242

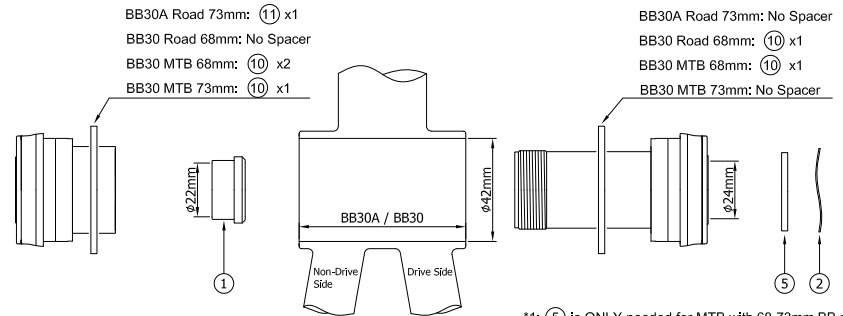
No.	Description	Q'ty
1	GXP Adaptor	1
2	Wave Washer	1
5	Outboard 2.5mm spacer	1
10	Inboard 2.5mm spacer	3
11	2mm spacer	1

For use with:

BB841T-42 / BB841T-42TBT
/ BB841T-42A / BB841T-42ATBT
/ BB30A / BB30A-TBT
/ BB30A2 / BB30A2-TBT

BB30A FRAME (ROAD $\phi 42 \times 73\text{mm}$) & BB30 FRAME (ROAD $\phi 42 \times 68\text{mm}$ / MTB $\phi 42 \times 68-73\text{mm}$)

BB841T-42 / BB841T-42-TBT



MODEL: R246

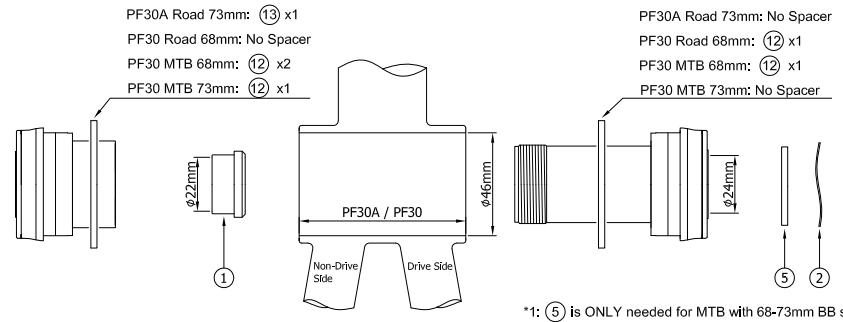
No.	Description	Q'ty
1	GXP Adaptor	1
2	Wave Washer	1
5	Outboard 2.5mm spacer	1
12	Inboard 2.5mm spacer	3
13	2mm spacer	1

For use with:

BB841T-46 / BB841T-46TBT
/ BB841T-46A / BB841T-46ATBT

PF30A FRAME (ROAD $\phi 46 \times 73\text{mm}$) & PF30 FRAME (ROAD $\phi 46 \times 68\text{mm}$ / MTB $\phi 46 \times 68-73\text{mm}$)

BB841T-46 / BB841T-46TBT



MODEL: R247

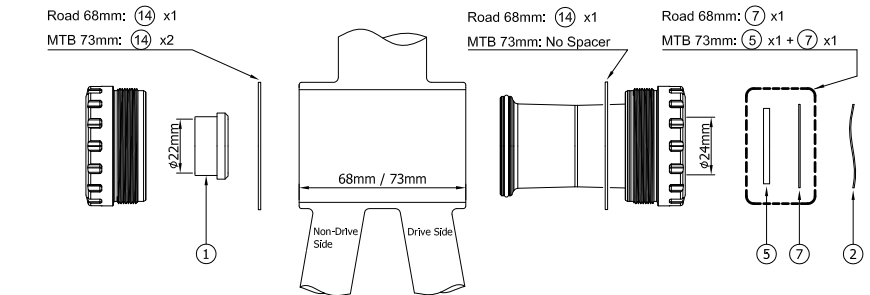
No.	Description	Q'ty
1	GXP Adaptor	1
2	Wave Washer	1
5	Outboard 2.5mm spacer	1
7	0.6mm spacer	1
14	1mm spacer	3

For use with:

BB47R24 / BB47R24-TBT
BB47V24 / BB47V24-TBT

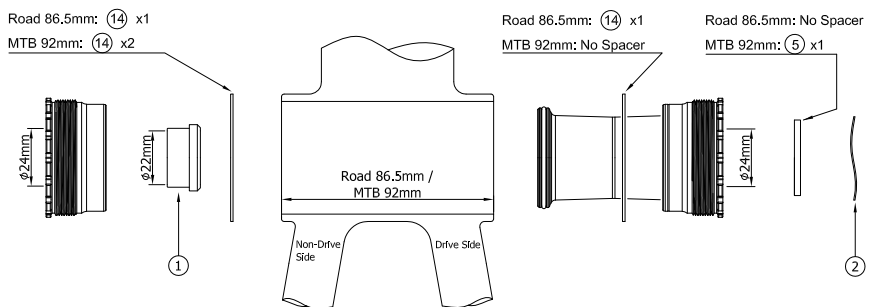
T47 FRAME (ROAD M47 x 68 mm / MTB M47 x 73mm)

BB47R24/BB47R24-TBT



T47 FRAME (ROAD M47 x 86.5 mm / MTB M47 x 92mm)

BB47V24/BB47V24-TBT



MODEL: R248

No.	Description	Q'ty
2	Wave Washer	1
5	Outboard 2.5mm spacer	1
15	GXP Adaptor	1
16	2.2mm Side Cover	2

For use with:

BB3724

BB90 FRAME (ROAD $\phi 37 \times 90.5\text{mm}$) / BB95 FRAME (MTB $\phi 37 \times 95.5\text{mm}$)

Model: BB841T-46 / BB841T-46TBT

