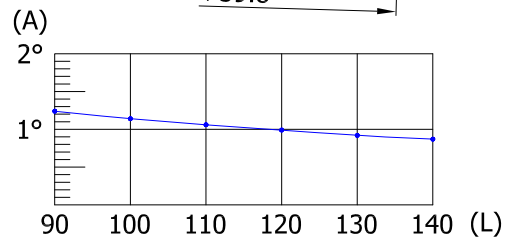
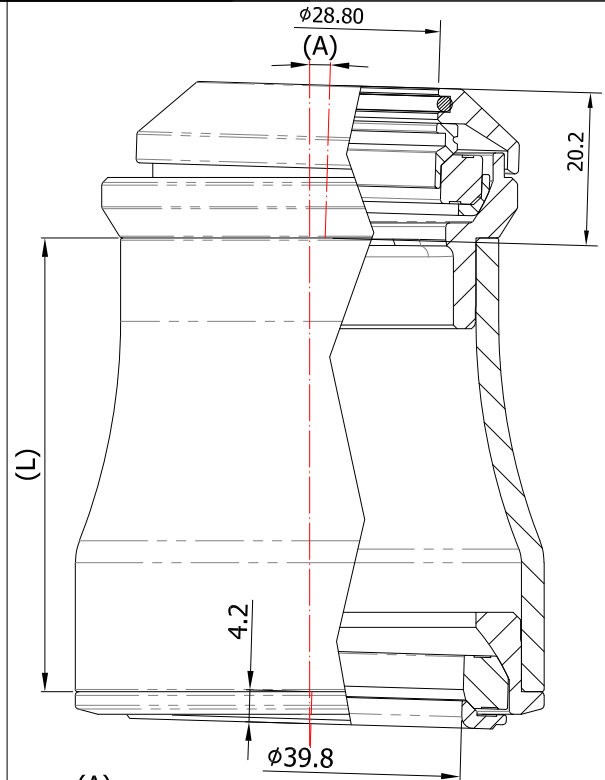
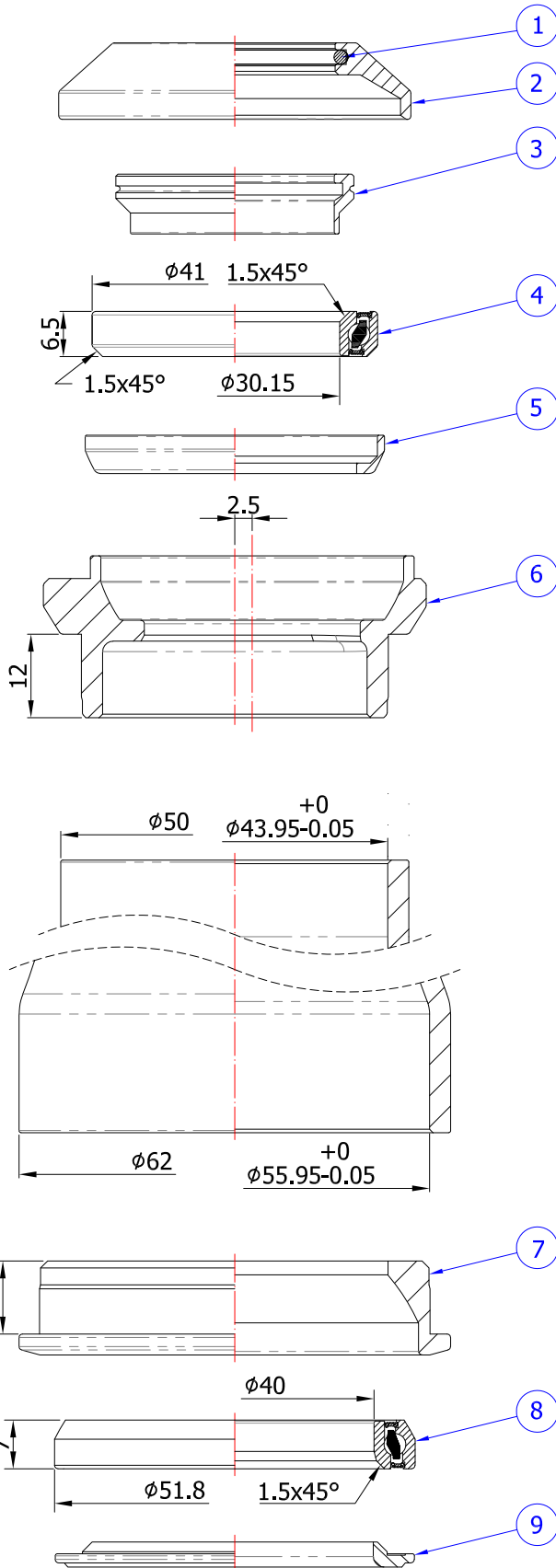


TK189

Tilting Set (Self-Alignment Headset)



Stack Height: $20.2 + 4.2 = 24.4\text{mm}$
 • Fork Steerer: Taper 1-1/8" to 1.5"

SHIS code: EC44/28.6 | ZS56/40

No.	Item	Material	Drawing	Q'ty
1	O-Ring	NBR-70	A1-8	1
2	Top Cover	Alloy	TK189-3	1
3	Compression Ring	Alloy	A3-2	1
4	Premium Bearing	Steel	ACB41	1
5	Bearing Shell	Alloy	TK189-1	1
6	Upper Cup	Alloy	TK189-4	1
7	Lower Cup	Alloy	TK189-5	1
8	Premium Bearing	Steel	ACB518H7-R29	1
9	Crown Race	Alloy	TK1556-6	1

Unit: mm

Scale: 1:1

Revision: C
 2023.03.31