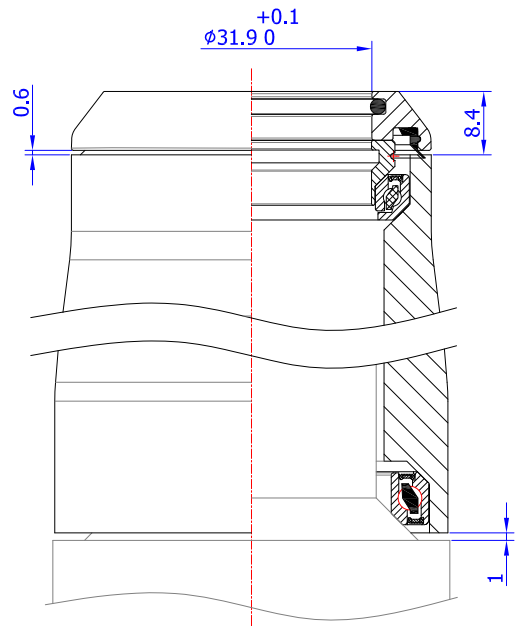
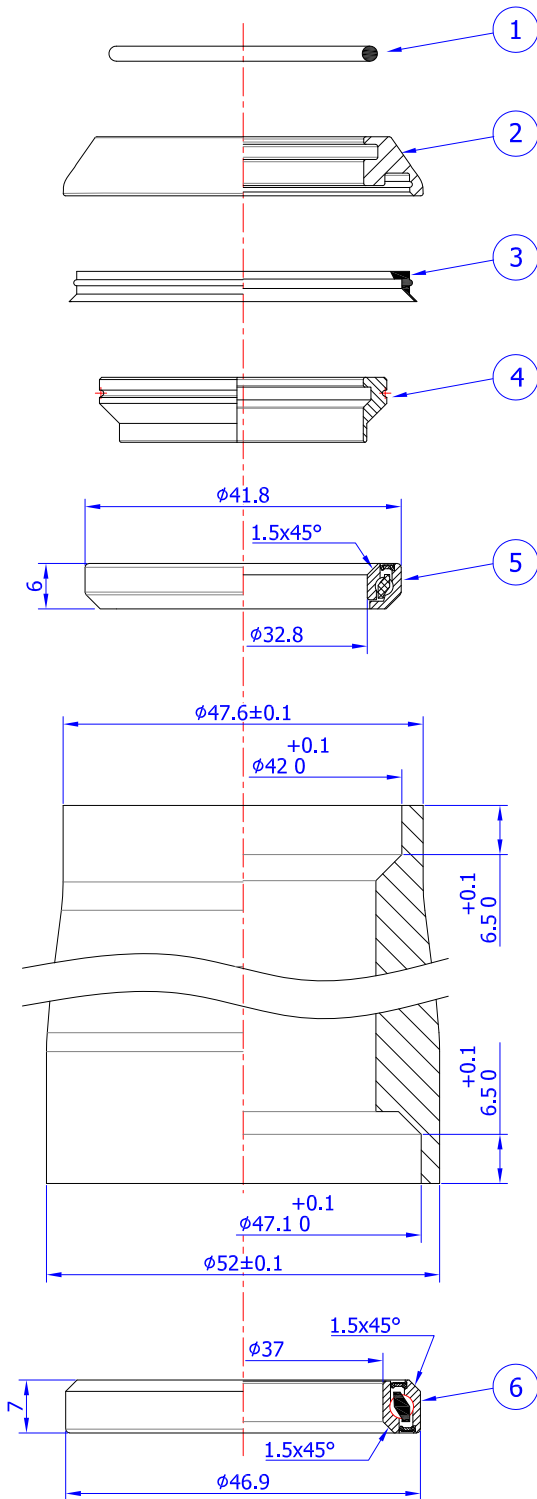


# TOKEN HEADSET TECHNICAL MANUAL

**TK034**

1-1/4" Integrated Headset



Stack Height:  $8.4+1=9.4\text{mm}$

- Headtube OD: 47.6mm/52mm
- Fork Steerer: 1-1/4"

SHIS code: IS42/31.8 | IS47.1/33

No.	Item	Material	Drawing	Q'ty
1	O-Ring	NBR-70	S-032	1
2	Top Cover	Alloy	TK034-2	1
3	Water Seal	NBR-70	A3-9	1
4	Compression Ring	Alloy	TK034-3	1
5	Sealed Bearing	Steel	FSBACB418H6	1
6	Premium Bearing	Steel	FSBMR137	1

Unit: mm

Scale: 1:1

Version: A  
2023.11.21