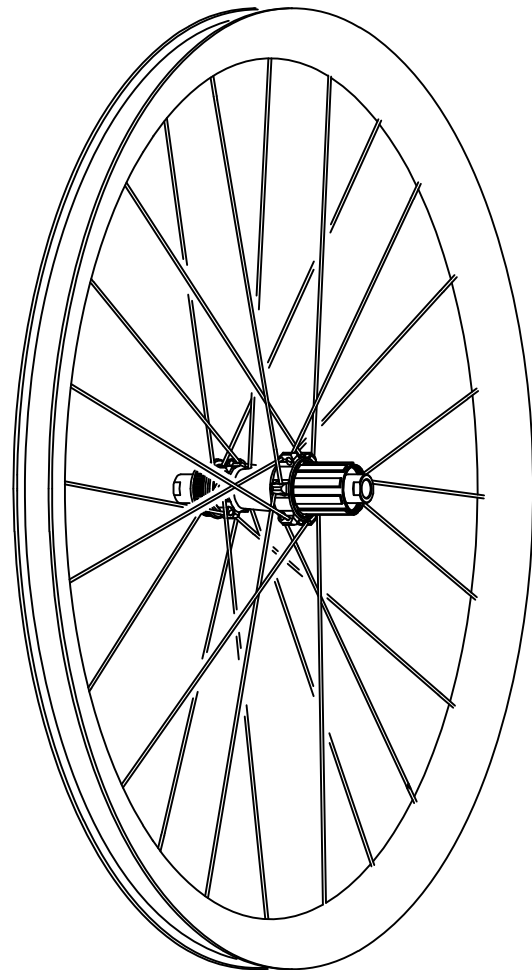
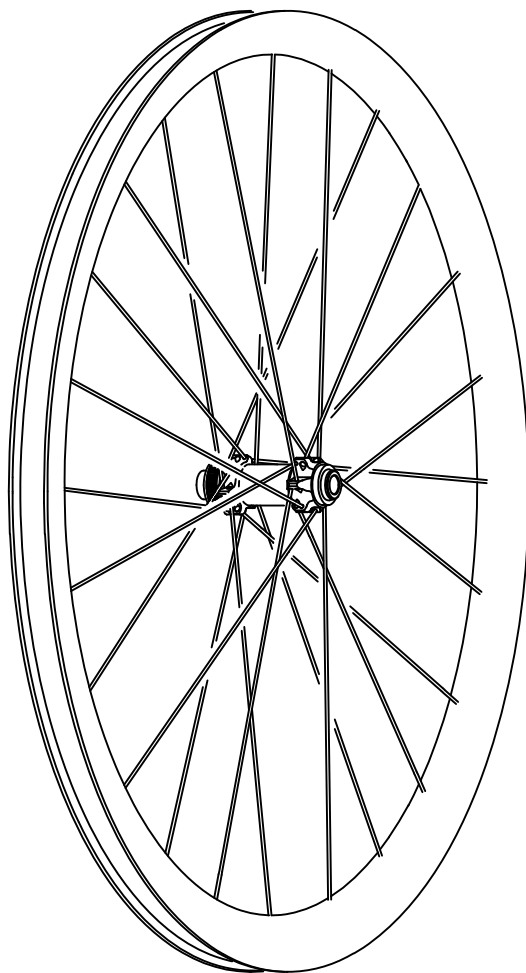




VENTOUS disc
KONAX PRO disc
KONAX TRI disc

PRIME Carbon Clincher

DISC BRAKE ROAD RACING WHEELSET



SPECIFICATION

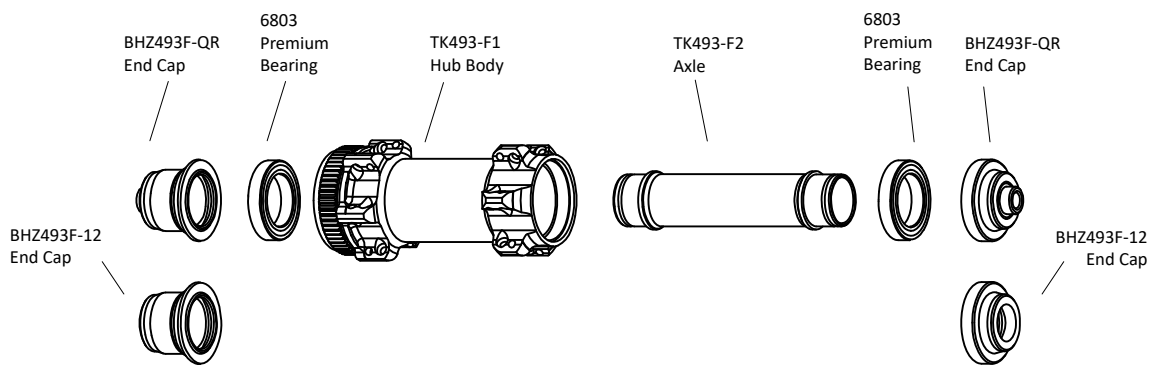
	RIM				HUB	SPOKE / NIPPLE	CASSETTE BODY	WHEEL MAXIMUM
	Profile Depth	Internal Width	External Max Width	Recom'ed Tyre Size				
VENTOUS disc	36mm	20mm	28.4mm	700x25c 700x28c	D1 Hubset F-24H R-24H PREMIUM Bearing	Pillar WING Black Spoke Alloy Internal Nipple	Shi 10-12S / SRAM or Campy 10-11S / SRAM XDR	Inflation Pressure 115psi (700x25c) Rider Weight 100kg
KONAX PRO disc	52mm							
KONAX TRI disc	76mm							

WARNING

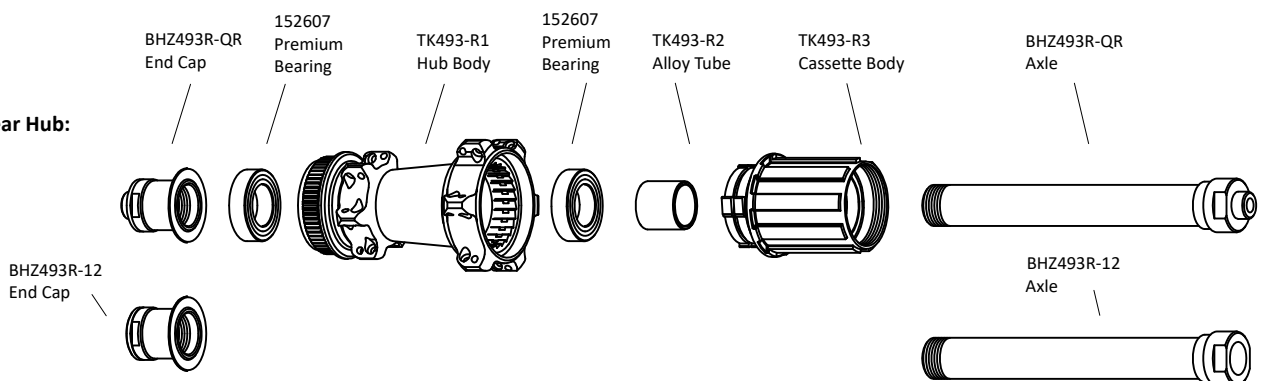
1. Use only TOKEN brand carbon-rim specified brake pads on rims with carbon fiber brake track. Use other brake pads could degrade braking performance and may lead to unwanted character such as noise and heat accumulation, as well as serious injury of rider.
2. Over tensioning spokes and exceeding maximum inflation pressure could cause unseen damage. Note that overly inflated tyres don't necessarily have lower rolling resistance, and may have inferior traction!
3. Discontinue use of rim immediately if the brake track is worn, deformed (carbon) or the wear indication dots disappear (alloy).
4. Mounting clincher tyres on tubeless-ready rims could take more effort than on regular rims. Take great care not to damage any part of the rim with tyre lever! Applying mild soap water or tyre sealant on rim and tyre bead could make tyre installation easier.
5. Make sure your tyre-and-wheel combination meets ISO 4210-6 Safety Requirement regulation - there should always be a clearance no less than 4mm between the tyre and the frame, as well as other components such as brake caliper.
6. Failure to follow the conditions listed above may result in 2-year warranty being voided. Contact your local dealer or see the TOKEN website for details. -www.tokenproducts.com-

HUBS

Front Hub:



Rear Hub:



WHEEL BUILDING

RIM

BEARING

Spoke Information	Tension (kgf)	Size	Length (mm)			ERD (mm)	Front	Rear	
			VENTOUS disc	KONAX PRO disc	KONAX TRI disc				
Front	Drive Side (RH)	80~100	14G	290	274	250	VENTOUS disc 567 KONAX PRO disc 535 KONAX TRI disc 487	6803 * 2	152607 * 4
	Non-Drive Side (LH)	100~120	14G	288	272	248			
Rear	Drive Side (RH)	110~130	14G	288	272	248			
	Non-Drive Side (LH)	70~90	14G	290	274	250			